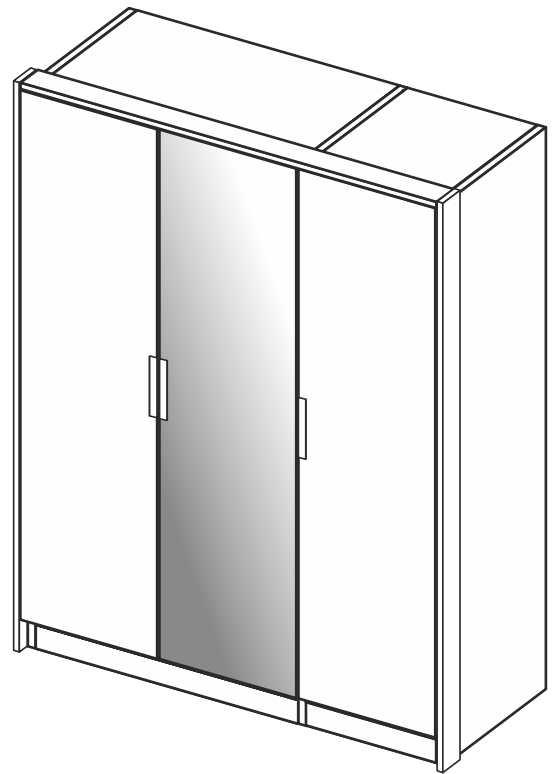
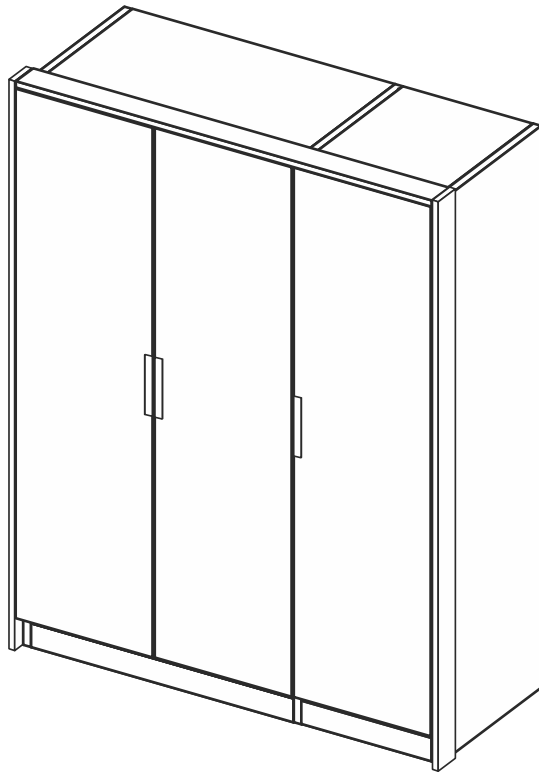
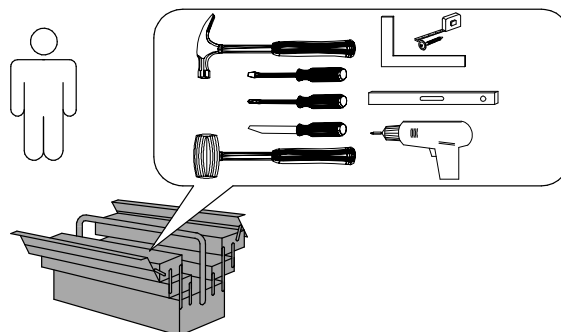


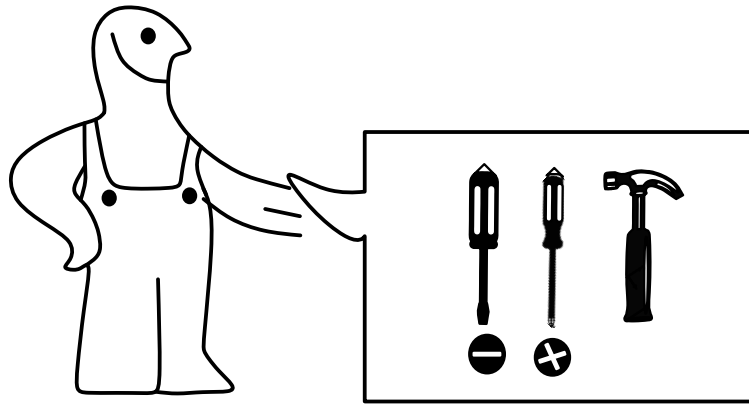
# WARDROBE



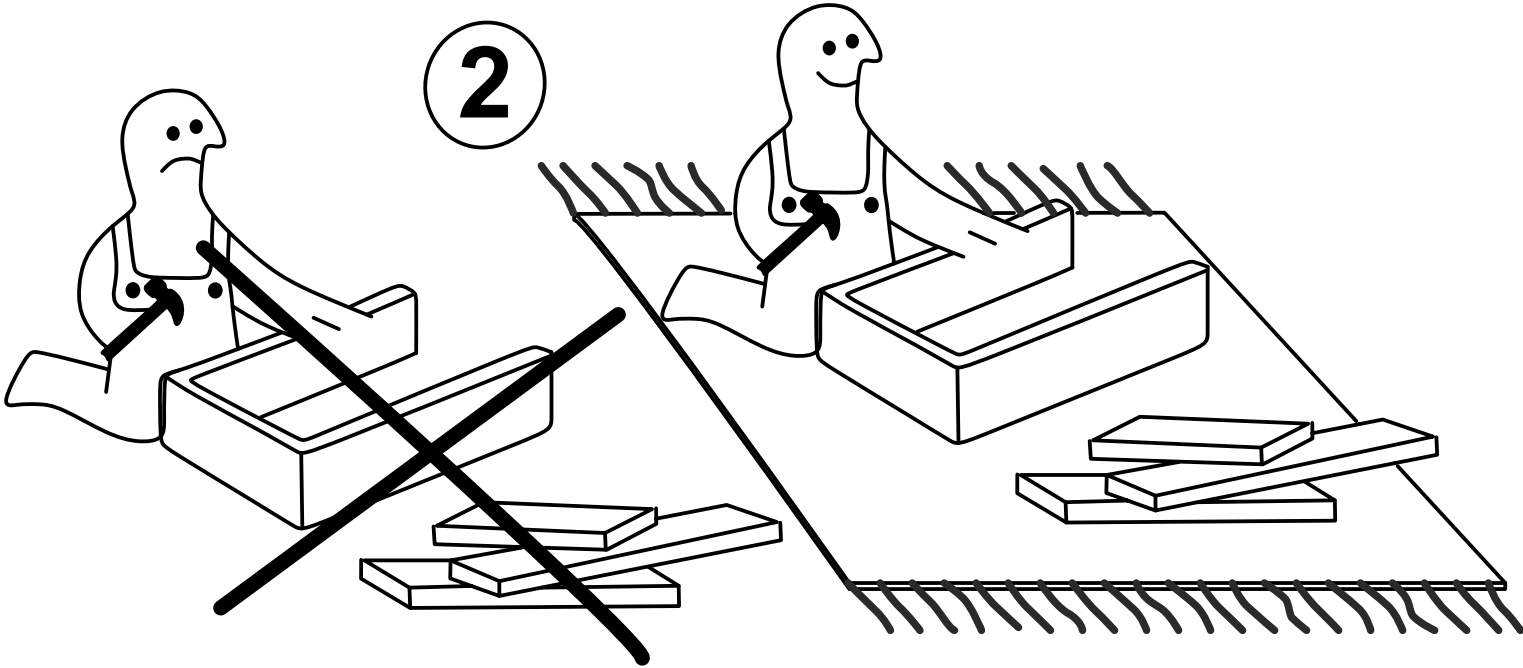
T0041



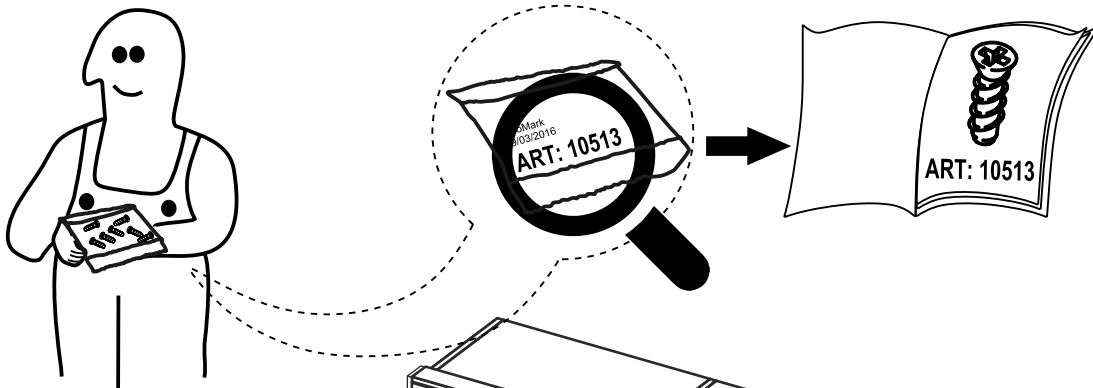
1



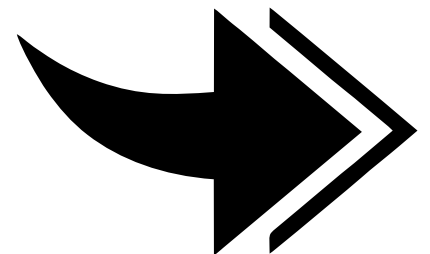
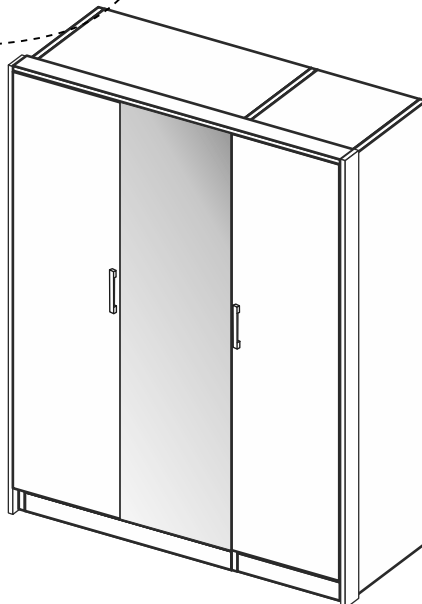
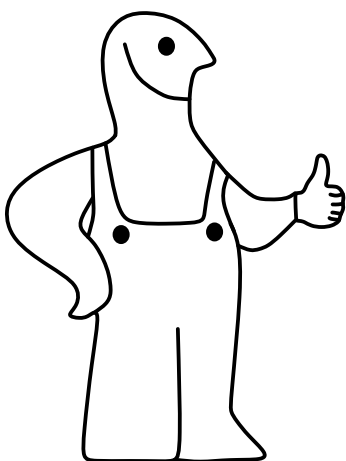
2

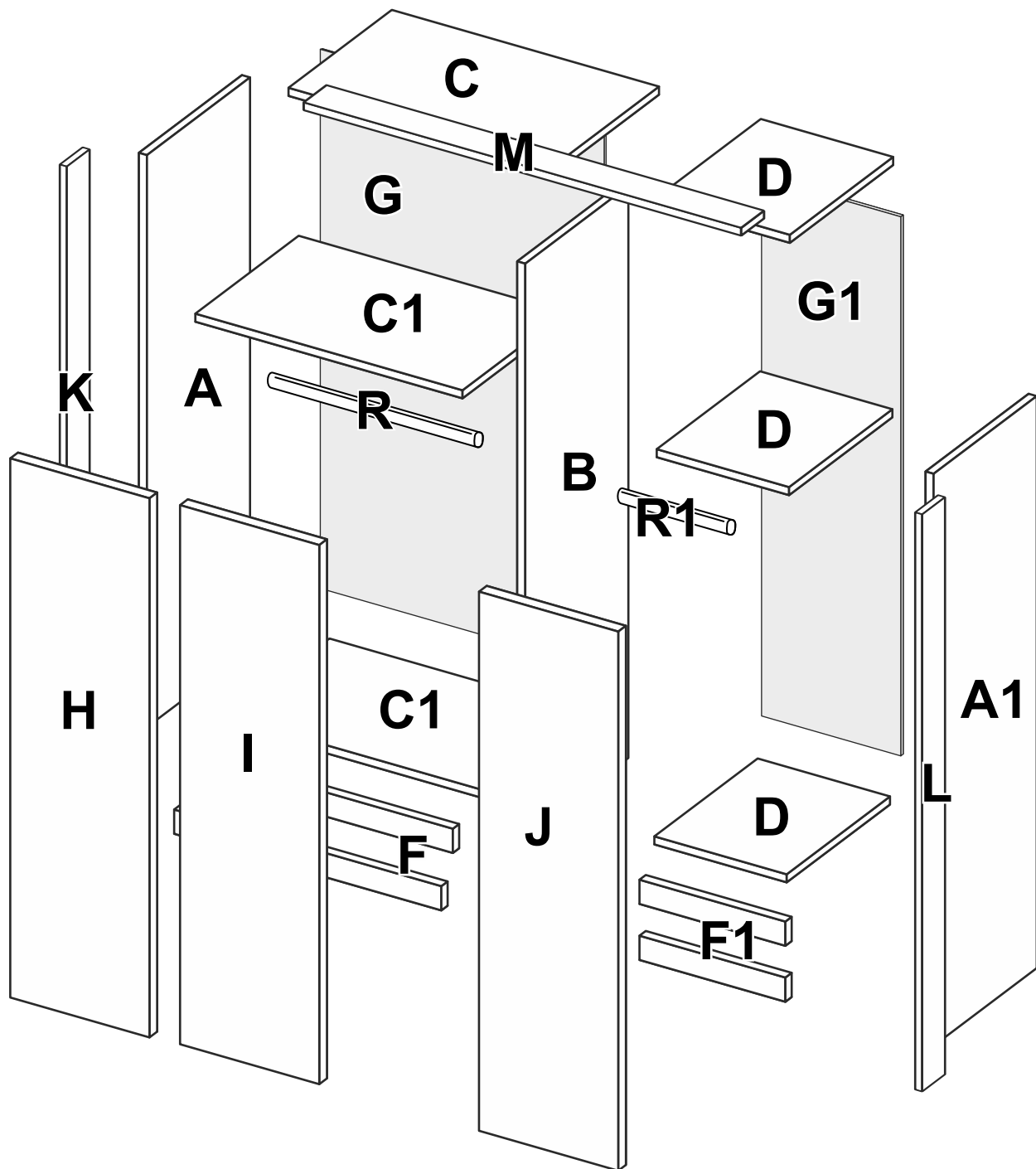


3



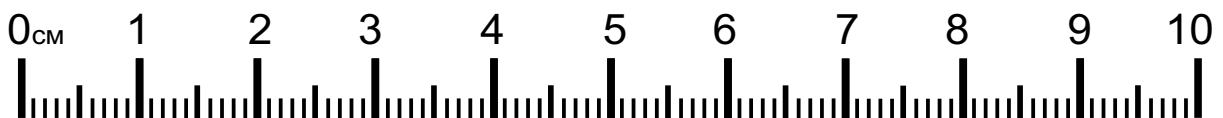
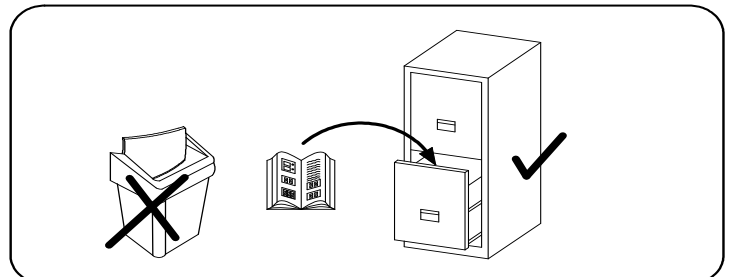
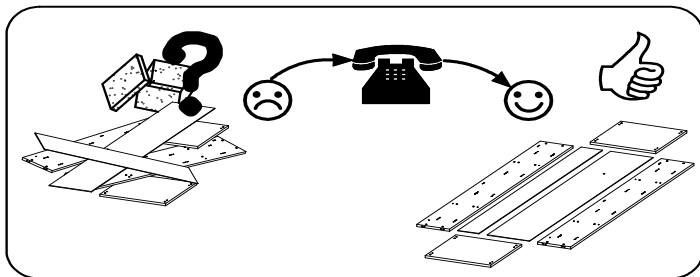
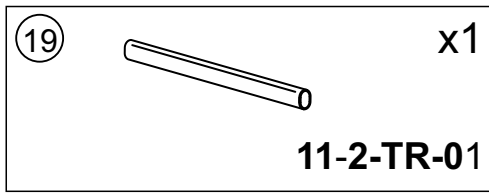
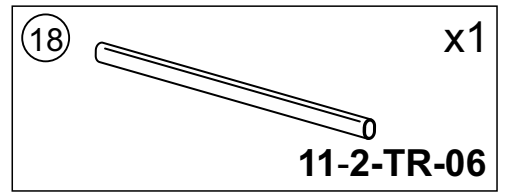
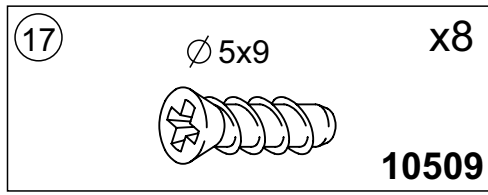
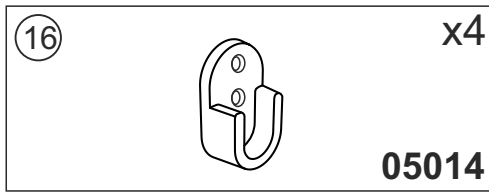
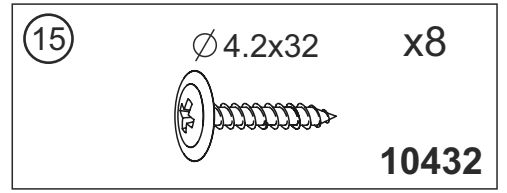
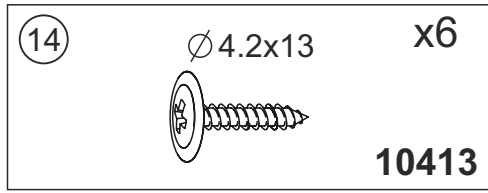
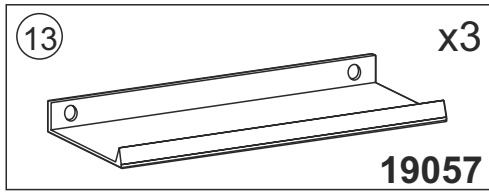
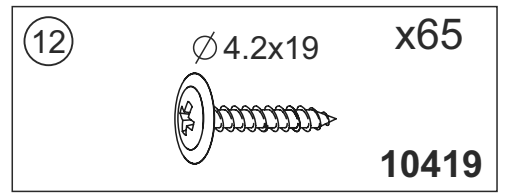
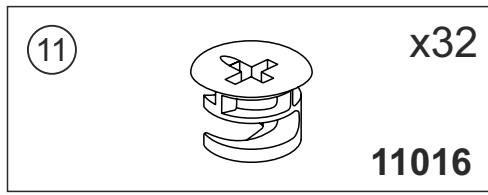
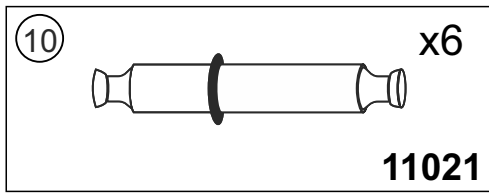
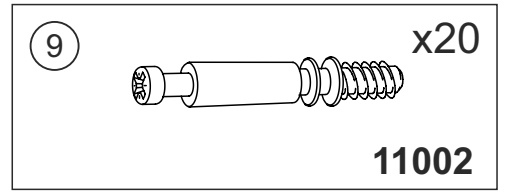
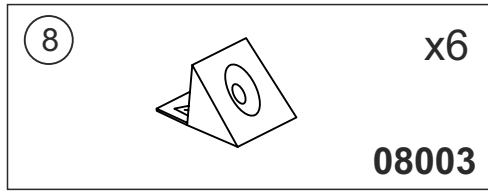
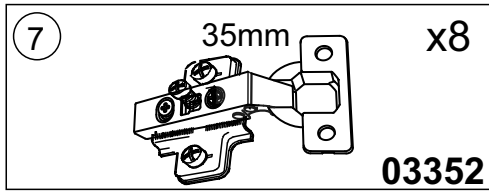
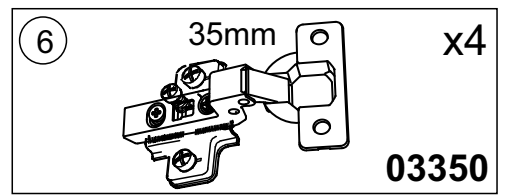
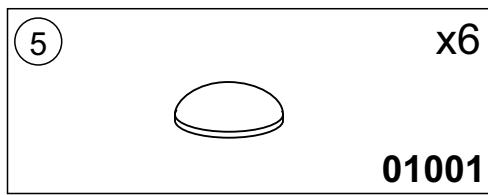
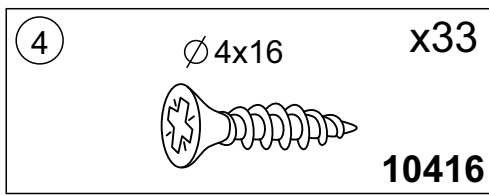
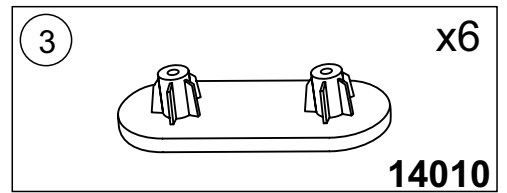
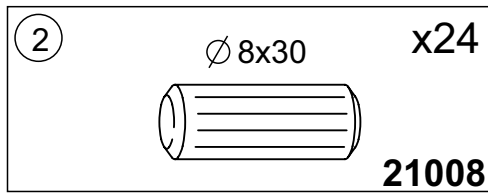
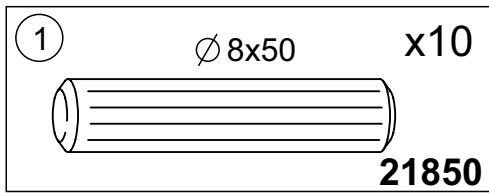
4

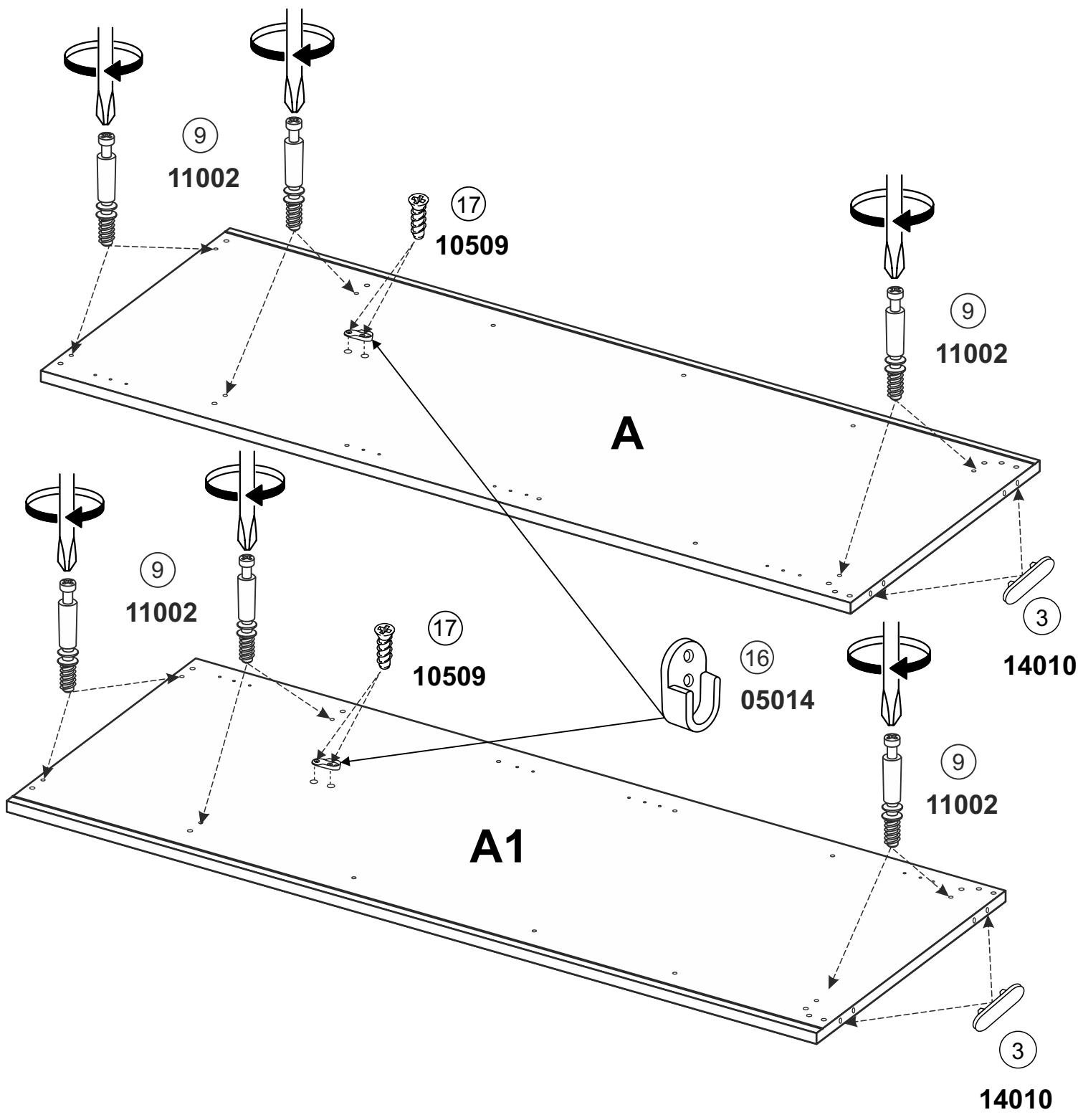


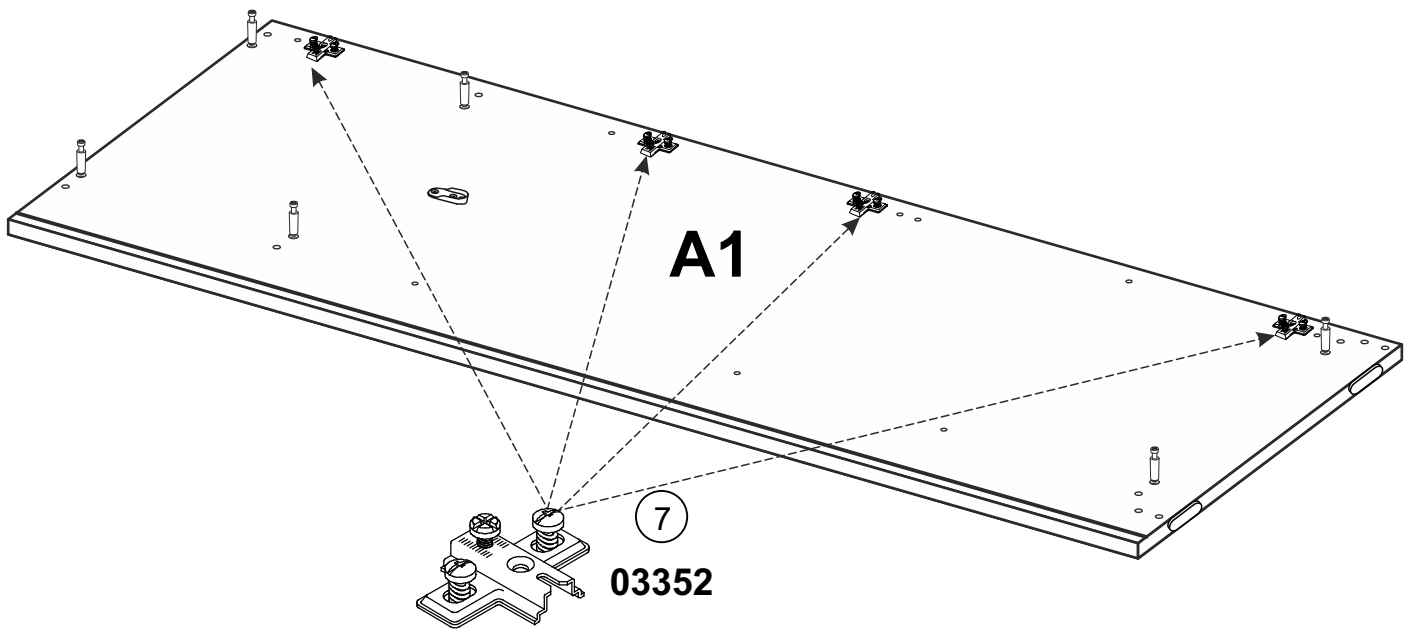
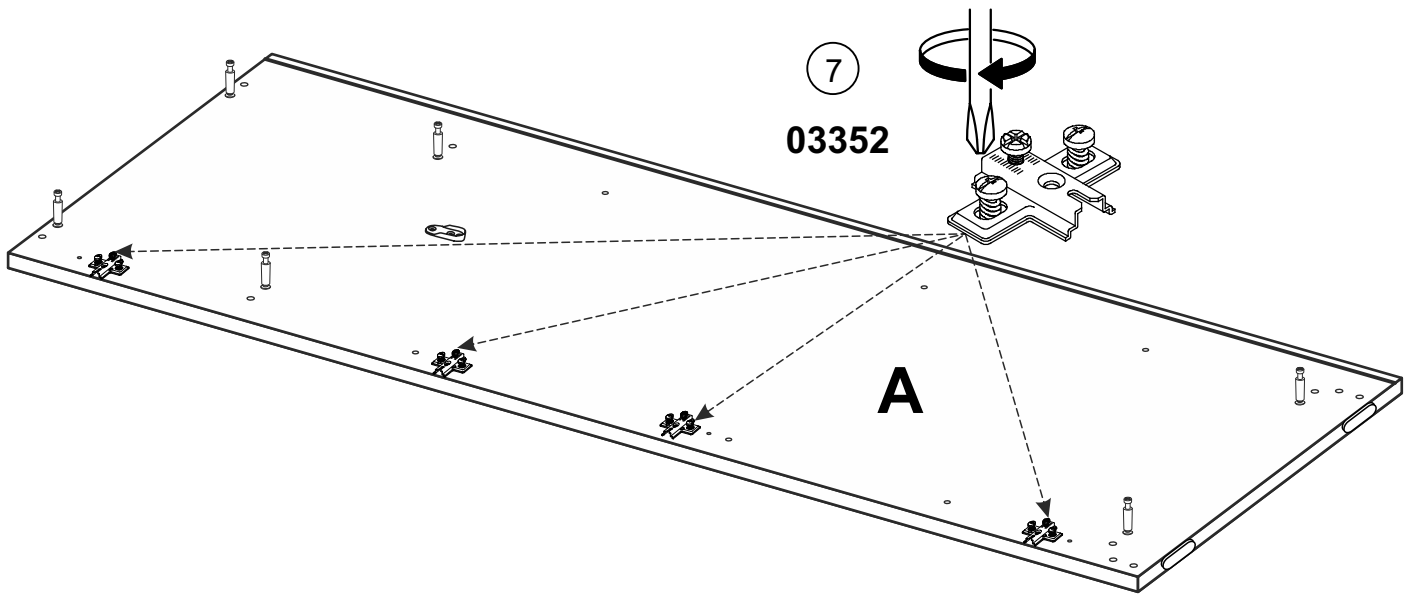


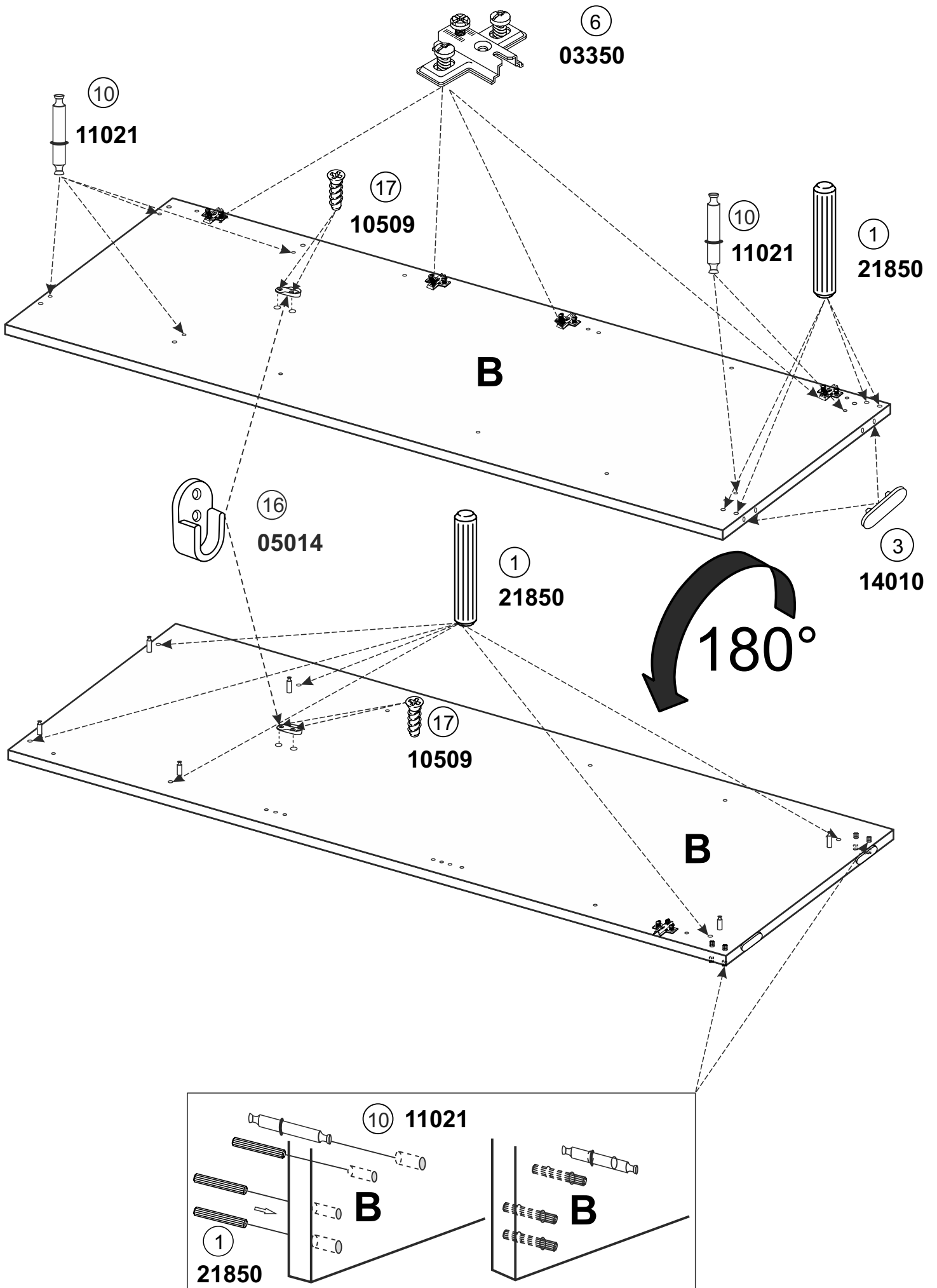
<b>A</b>	- 2102 x 530 x 16 - x 1
<b>A1</b>	- 2102 x 530 x 16 - x 1
<b>B</b>	- 2102 x 516 x 16 - x 1
<b>C</b>	- 870 x 516 x 16 - x 1
<b>C1</b>	- 870 x 516 x 16 - x 2
<b>D</b>	- 422 x 516 x 16 - x 3
<b>F</b>	- 870 x 50 x 16 - x 2
<b>F1</b>	- 422 x 50 x 16 - x 2
<b>G</b>	- 2050 x 883 x 3 - x 1

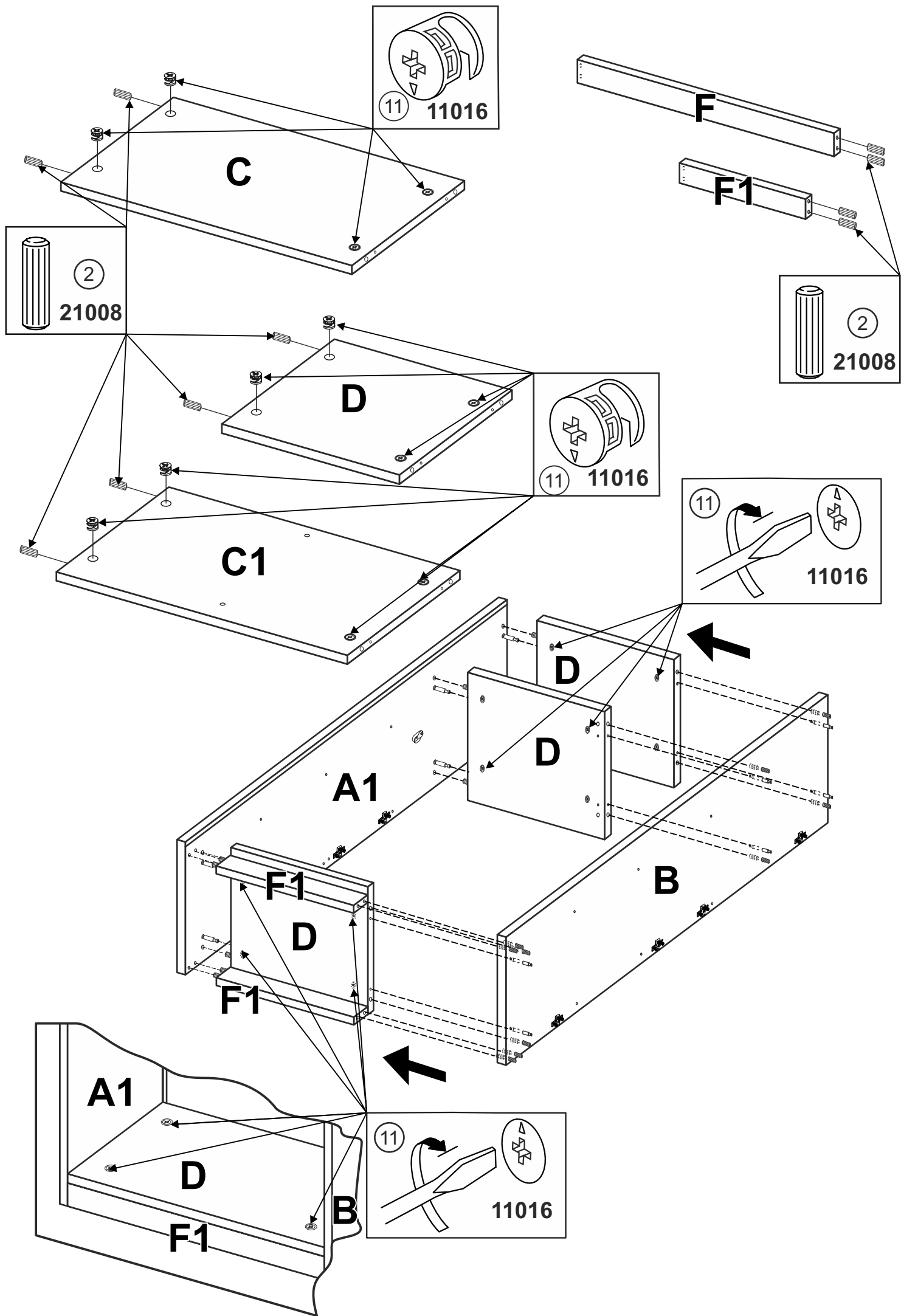
<b>G1</b>	- 2050 x 434 x 3 - x 1
<b>H</b>	- 2050 x 444 x 18 - x 1
<b>I</b>	- 2050 x 444 x 18 - x 1
<b>J</b>	- 2050 x 444 x 18 - x 1
<b>K</b>	- 2120 x 150 x 18 - x 1
<b>L</b>	- 2120 x 150 x 18 - x 1
<b>M</b>	- 1342 x 150 x 18 - x 1
<b>R</b>	- 862 - x 1
<b>R1</b>	- 415 - x 1



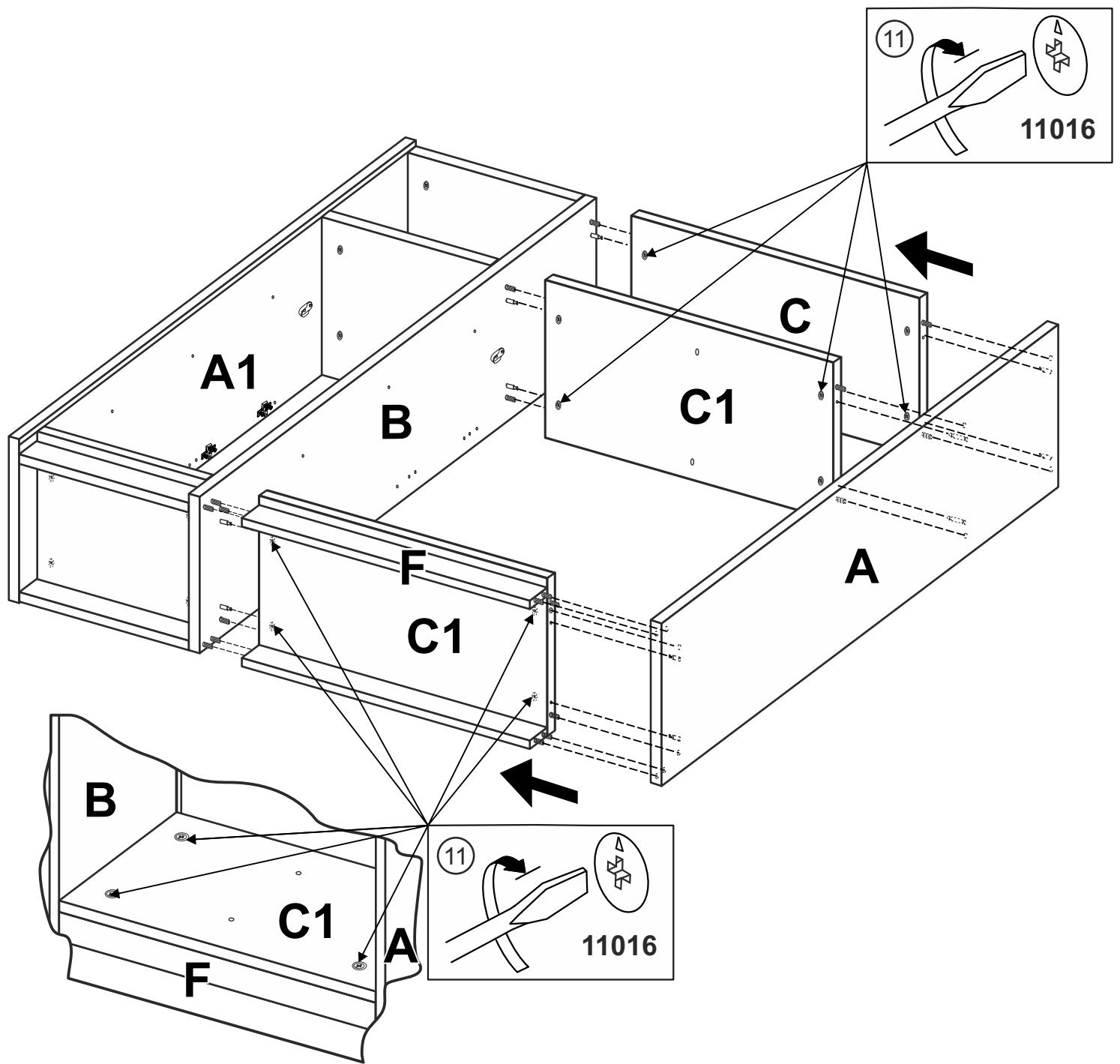


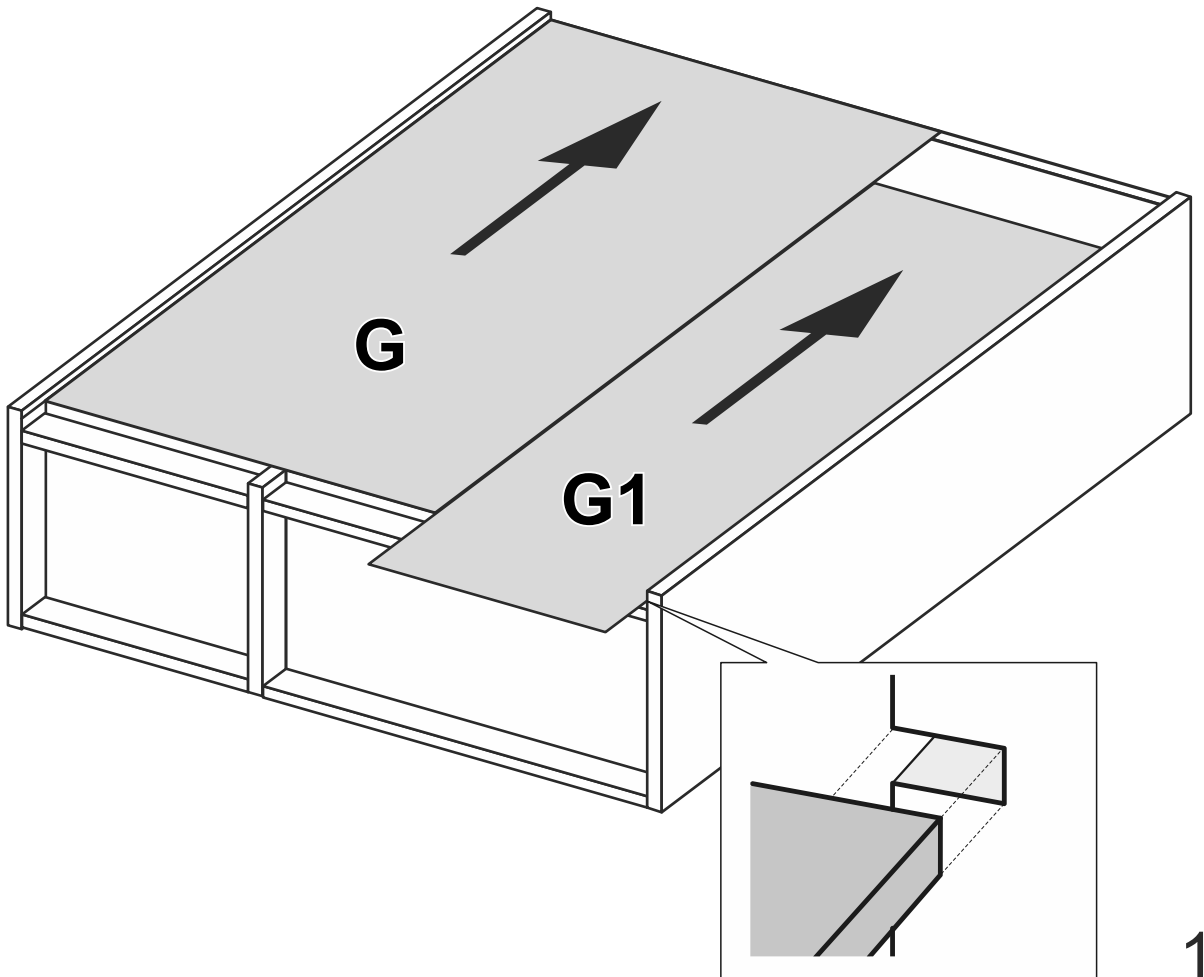
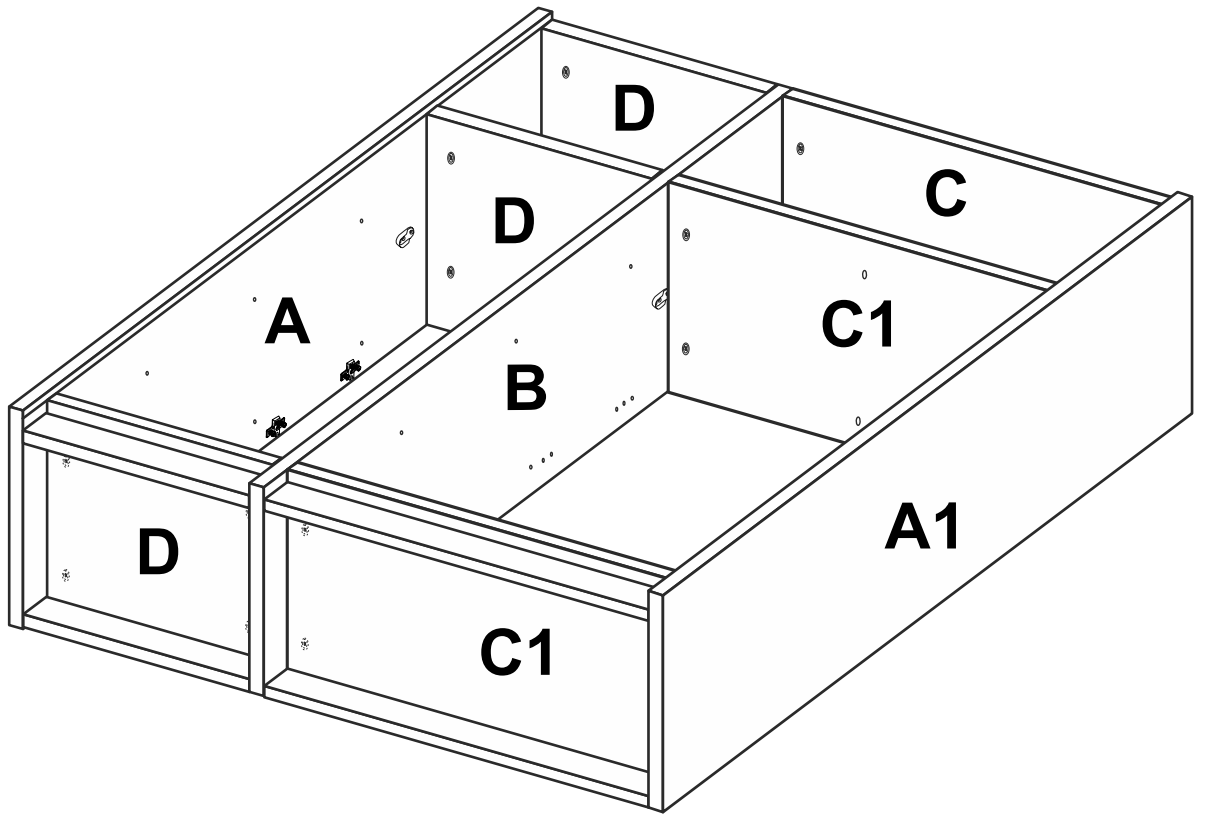


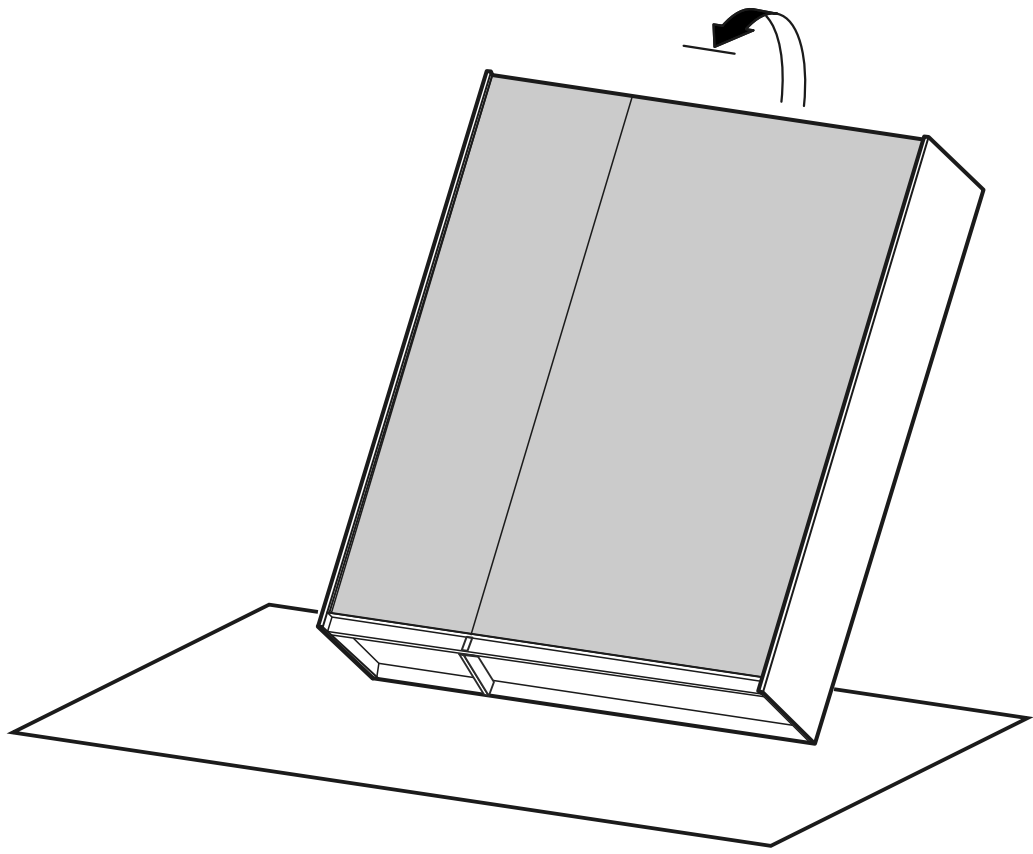
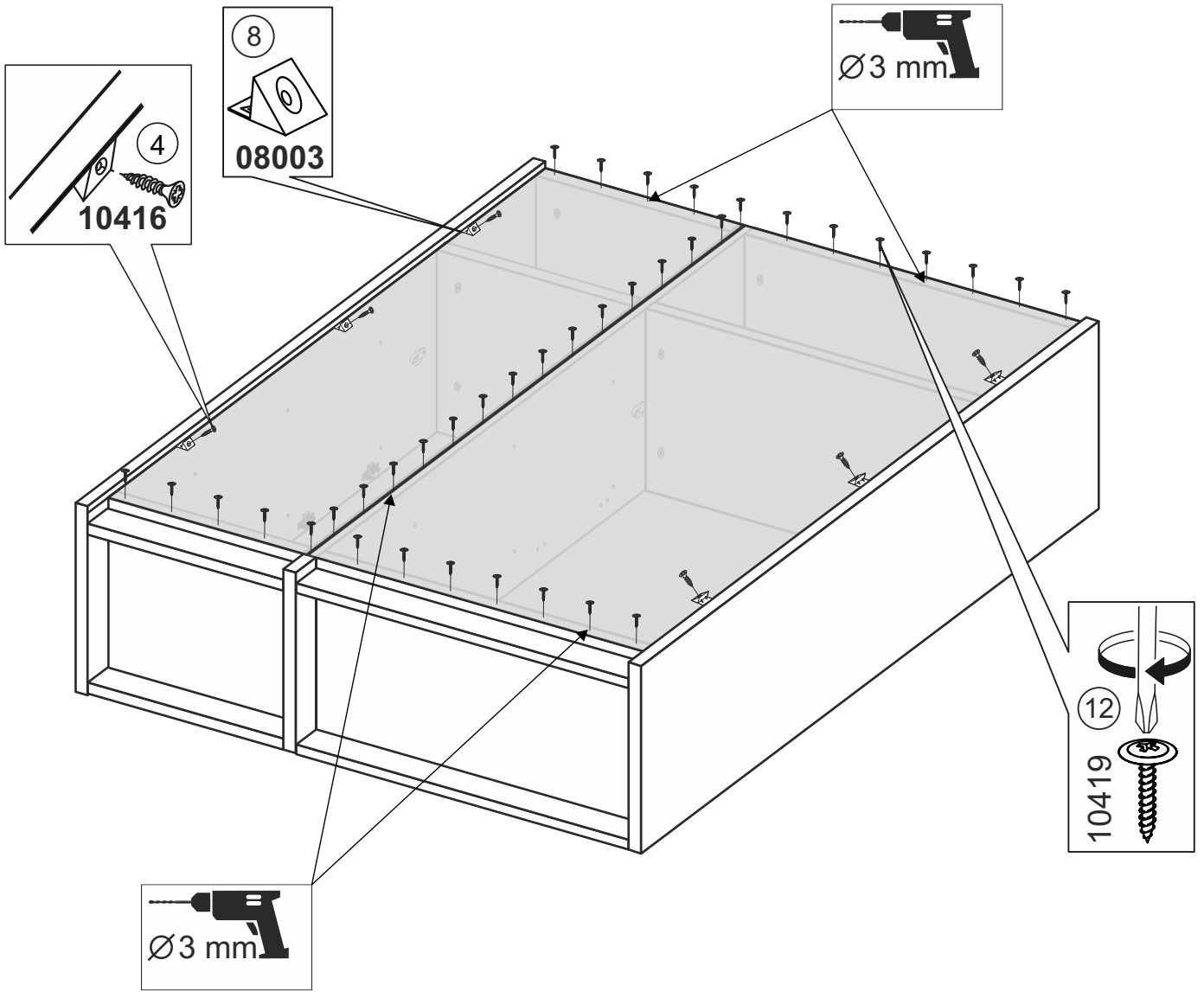


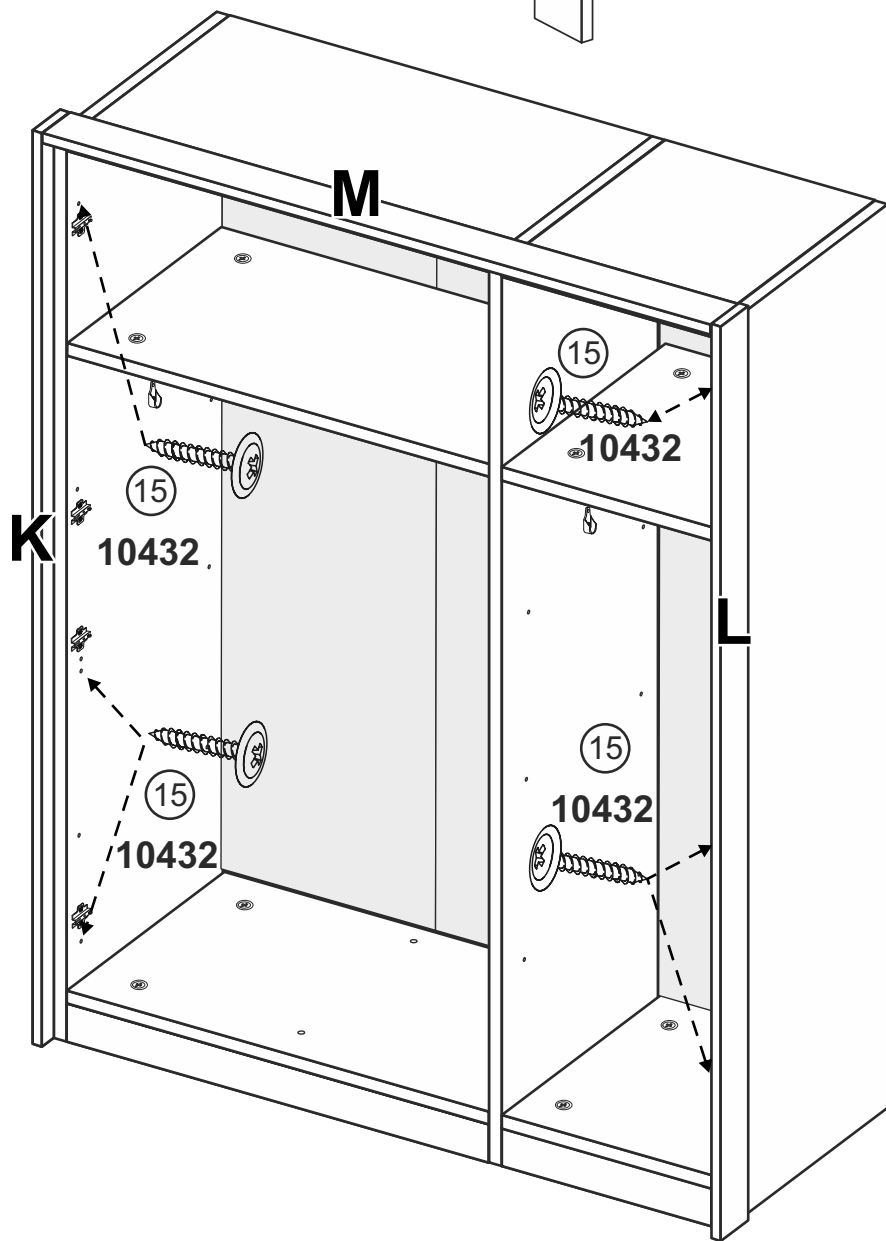
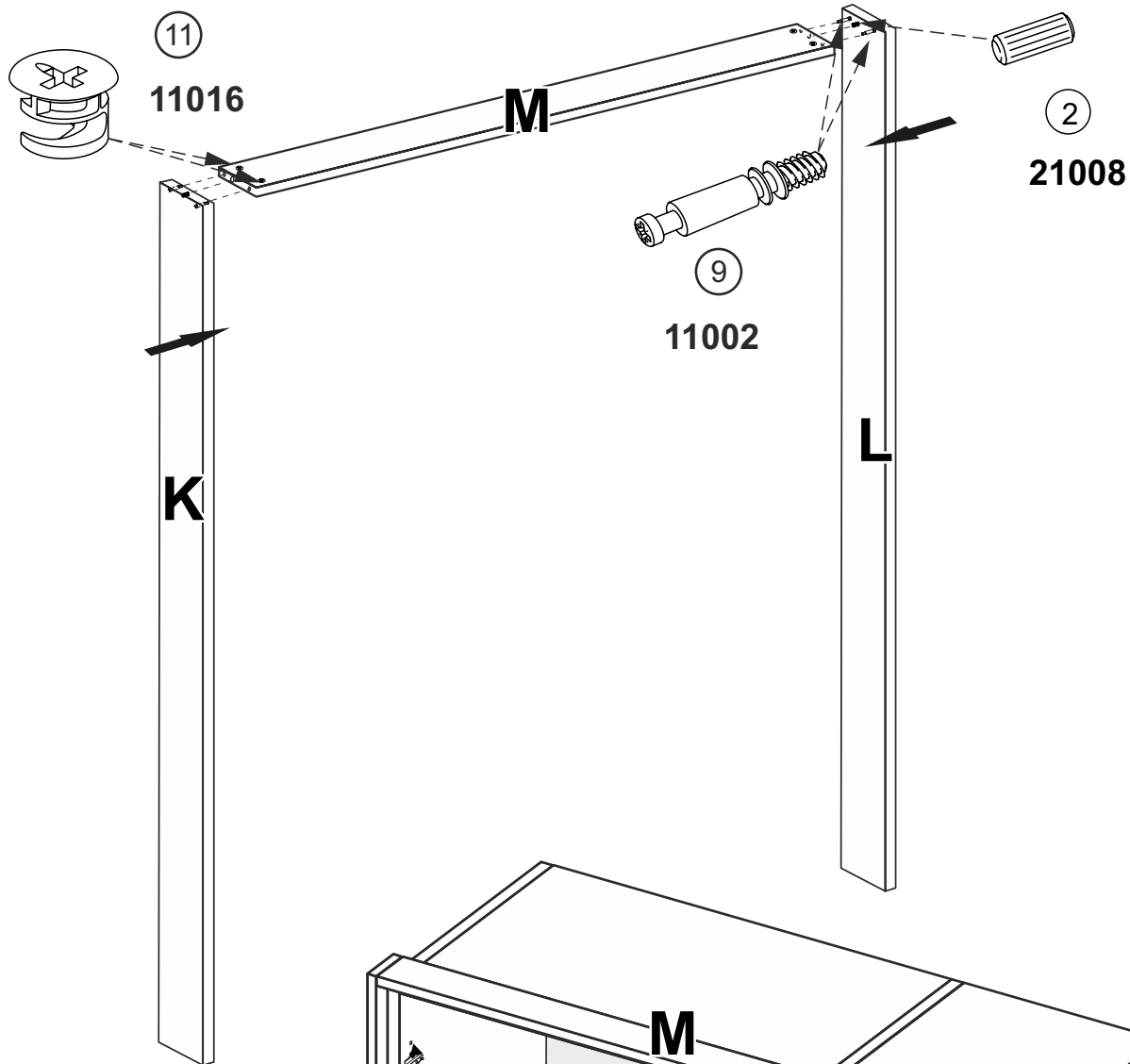


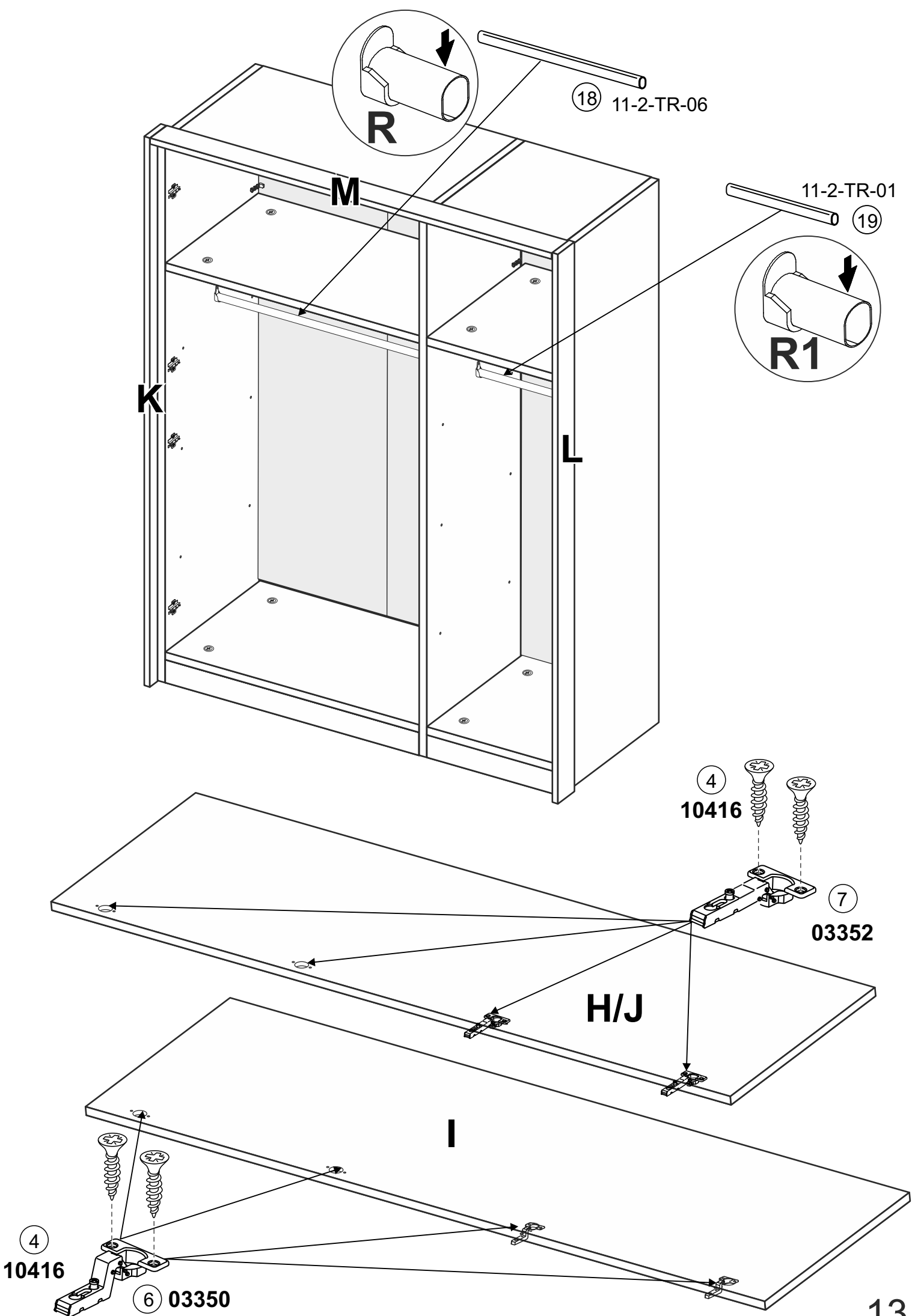


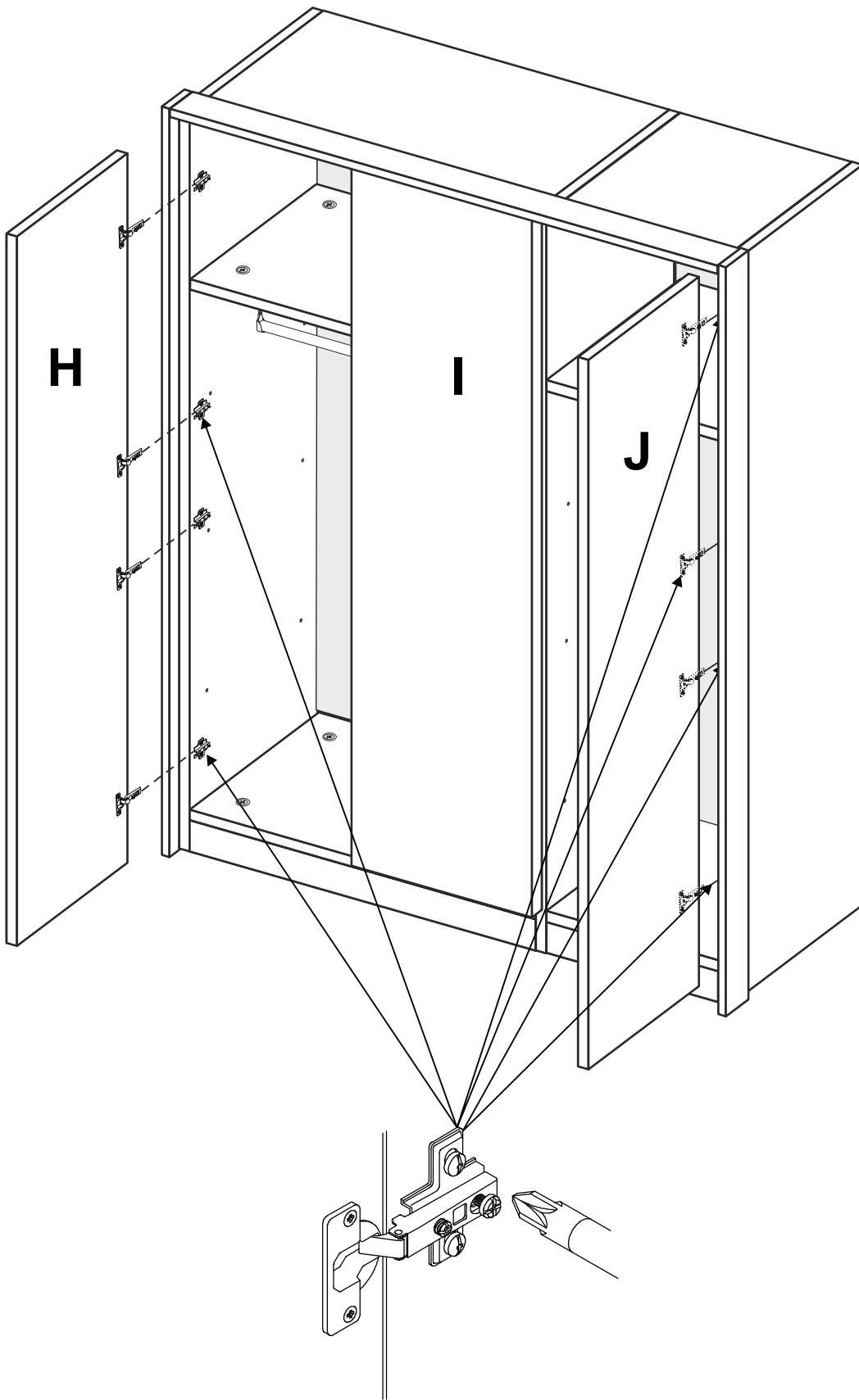


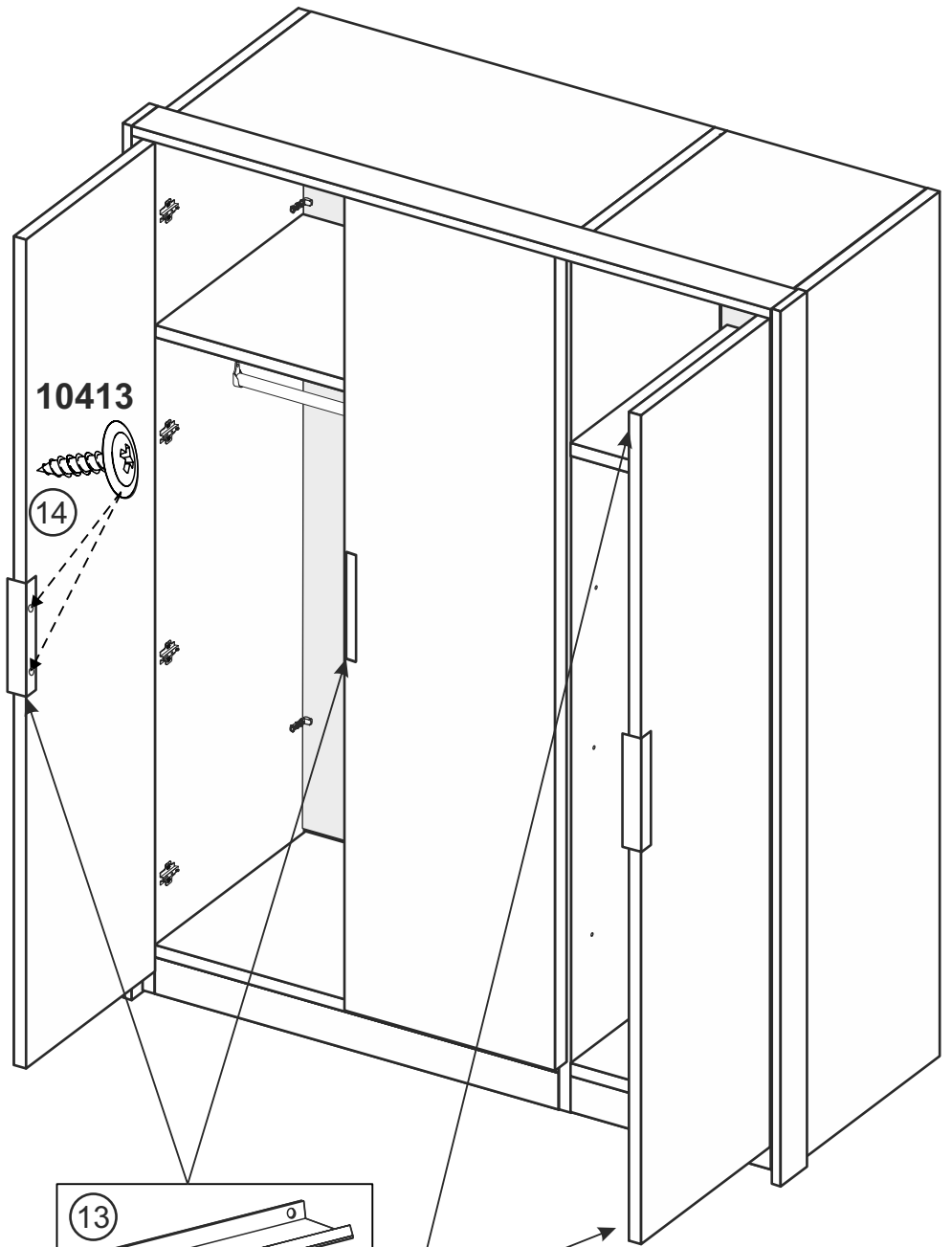












10413

14

