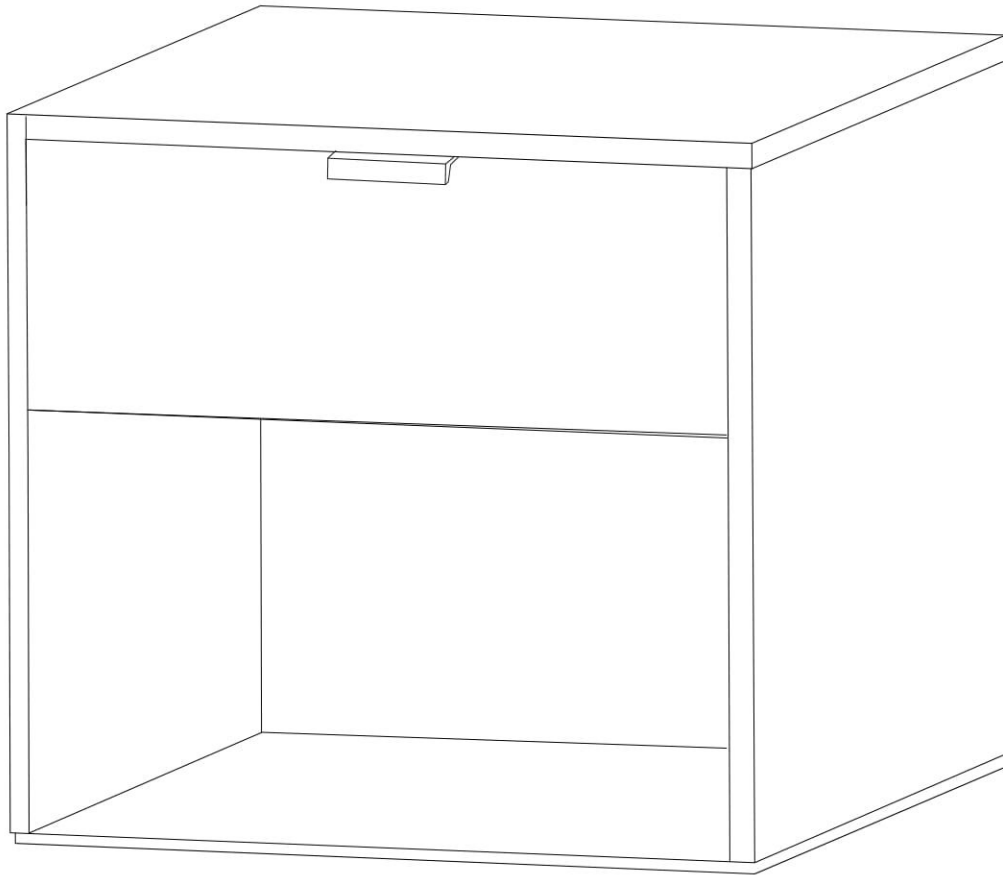


Bedside Table Hugo 398x400x331 mm

ASSEMBLY INSTRUCTION



NOTE!

For all questions and complaints about this product, please contact the place of purchase of this product.



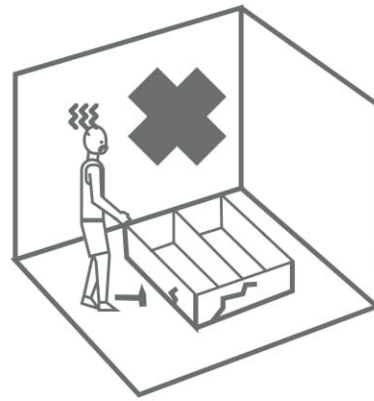
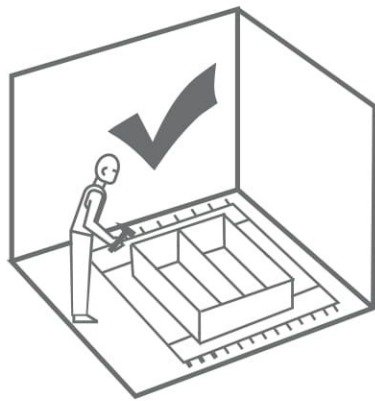
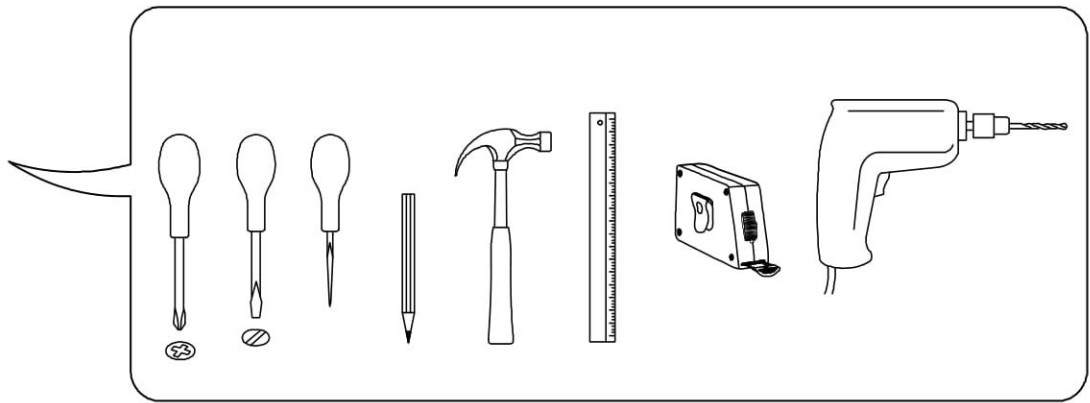
RULES FOR USE AND CARE OF FURNITURE

1. Use furniture only in dry rooms protected from the effects of weather conditions.
2. Install with suitable tools according to these assembly instructions.
3. Try to assemble as close to the location as possible.
4. The body is assembling in a horizontal position.
5. Before moving furniture, make sure that it is not loaded with items.

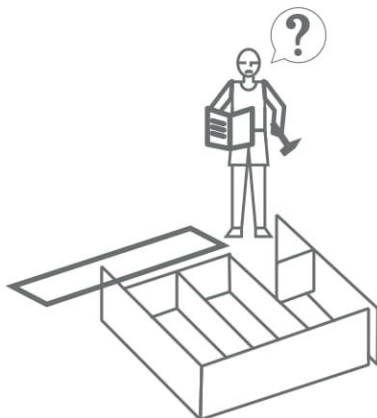
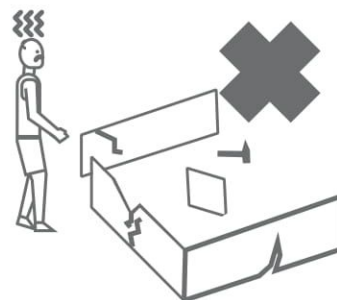
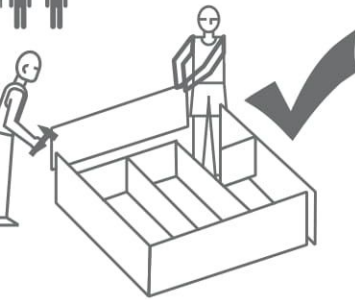
Caution: moving furniture may damage it.

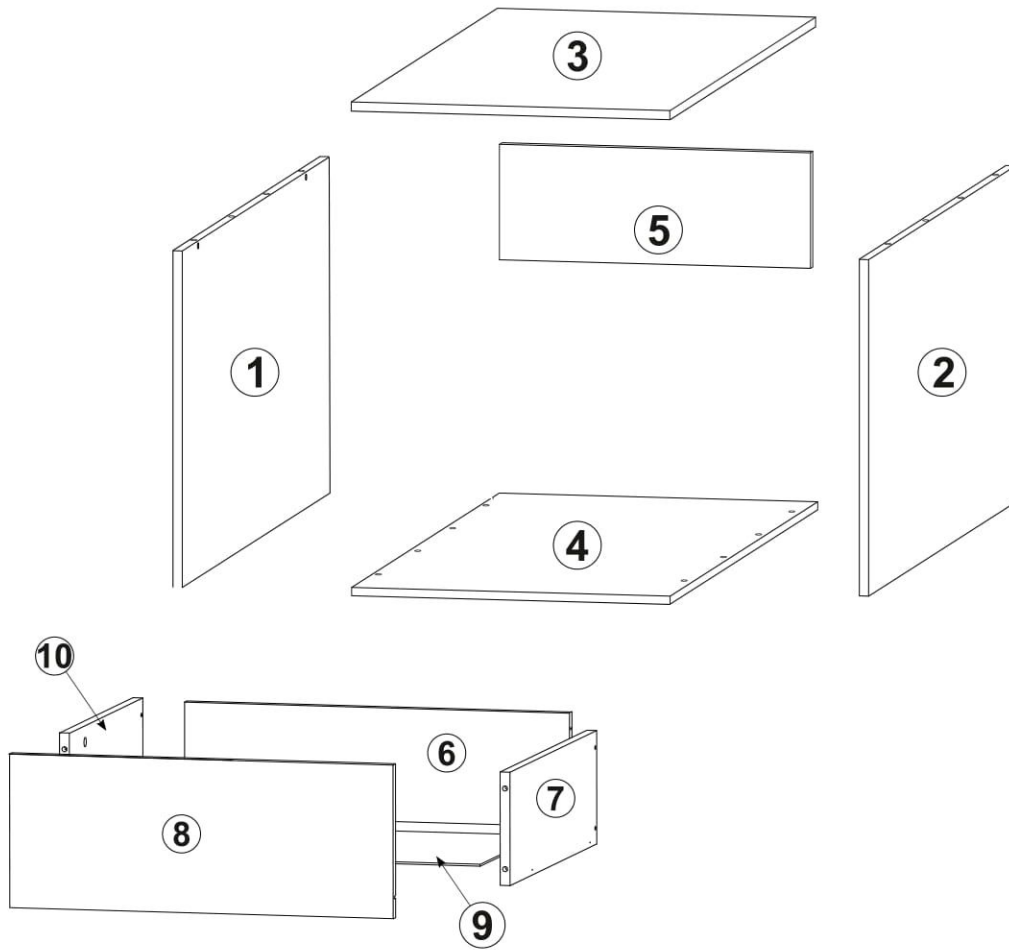
When moving, hold on to vertical elements only; moving furniture by horizontal parts can break the product.

















6. Overloading the furniture can damage it.
7. From time to time check the fittings and their correct position.
8. Wipe the furniture surface only with a slightly damp cloth or paper towels. Do not use chemical cleaning agents other than those specifically made for this.

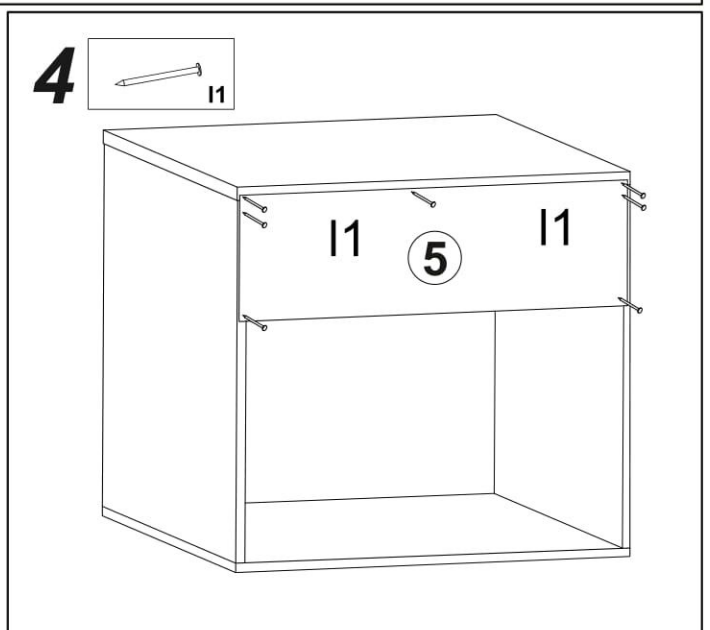
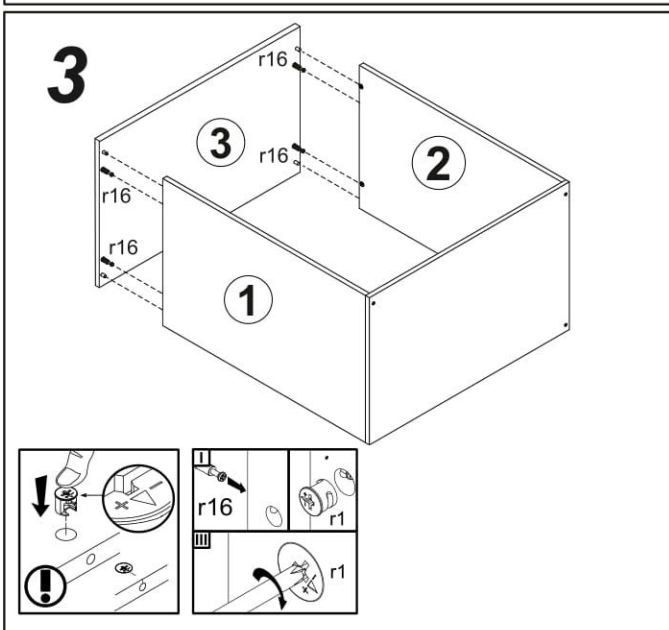
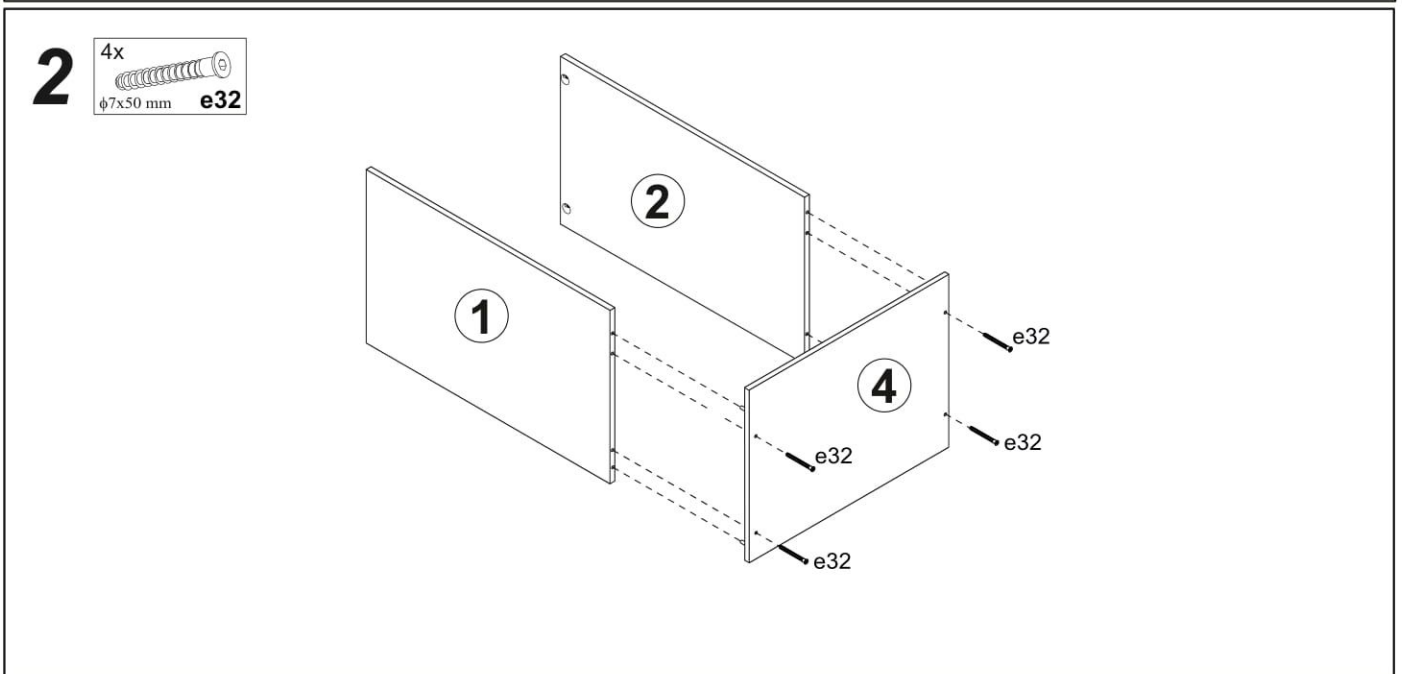
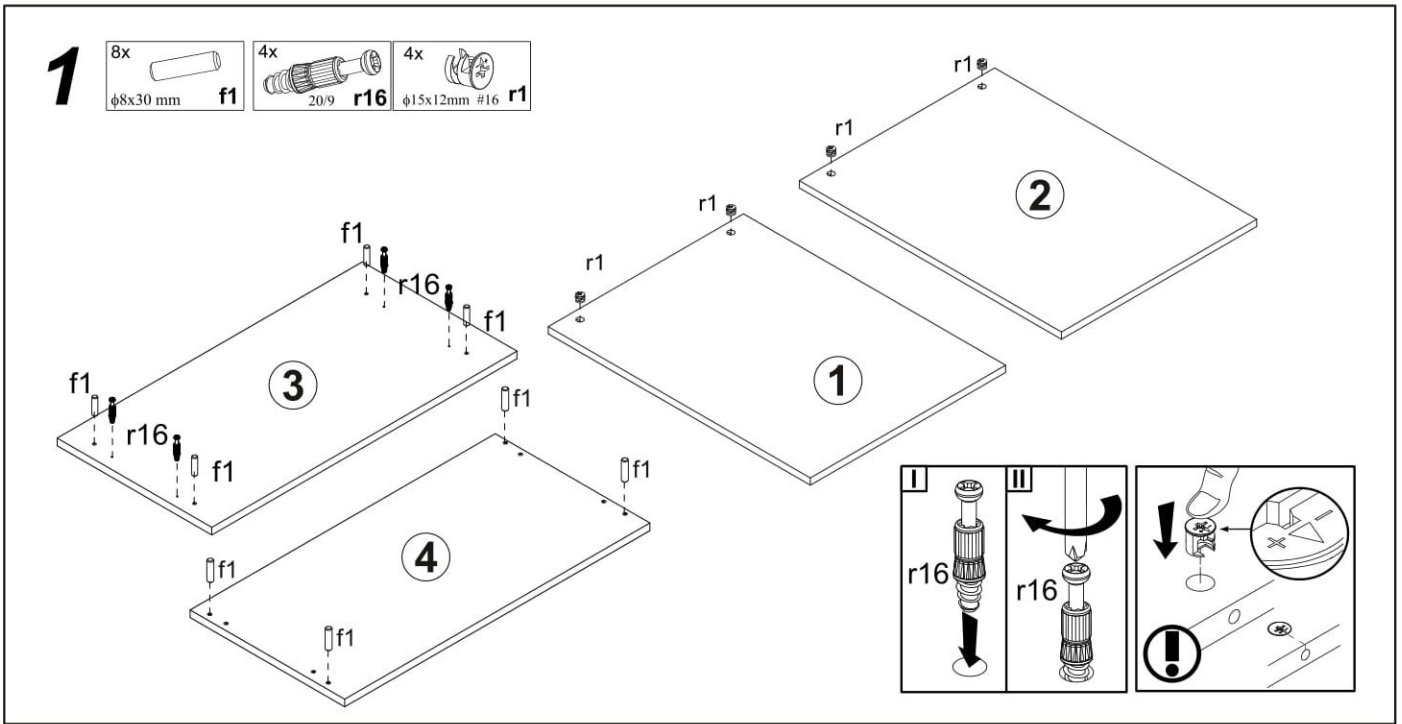


60-120 min



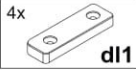


 l1	1x  w5^{CL}	1x  w5^{CR}	1x  w5^{DL}	1x  w5^{DR}	1x  z1
2x  $\phi 3,5 \times 16$ mm p39	1x  d11	6x  $\phi 15 \times 12$ mm #16 r1	6x  20/9 r16	6x  $\phi 6,4 \times 13$ mm e3	 $\phi 16$ s2
4x  d11	8x  $\phi 7 \times 50$ mm e32	10x  $\phi 8 \times 30$ mm f1	12x  $\phi 3,5 \times 16$ mm p38	 $\phi 16$ s3	1x  15x10x14mm c14



5

4x

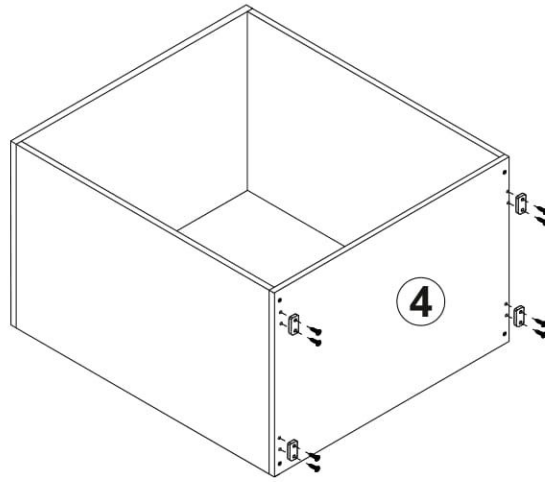


d11

8x



φ3,5x16 mm p38



6

2x



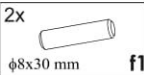
20/9 r16

4x

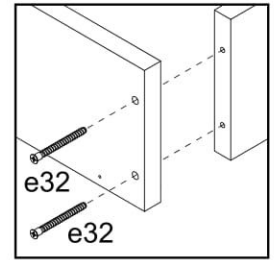
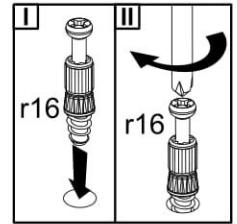
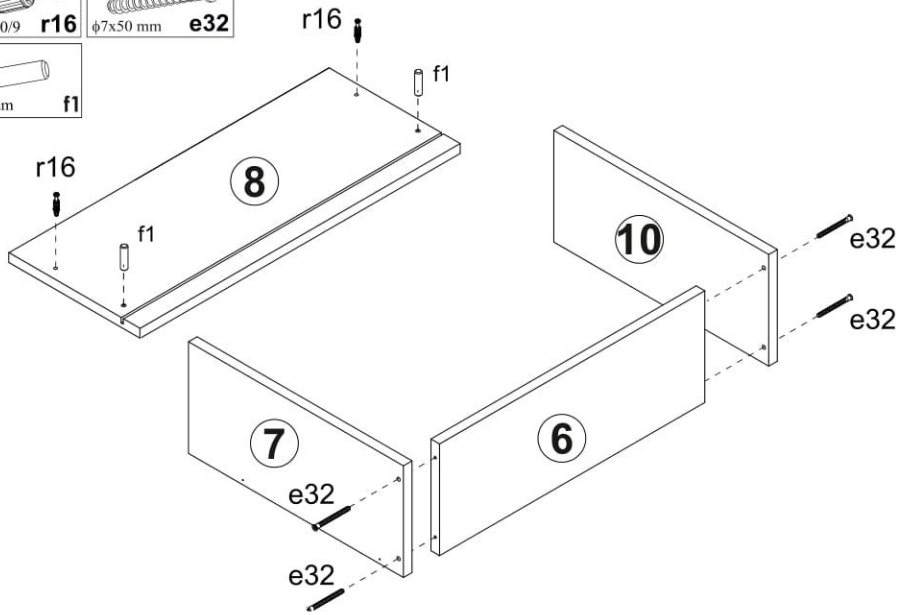


φ7x50 mm e32

2x



φ8x30 mm f1

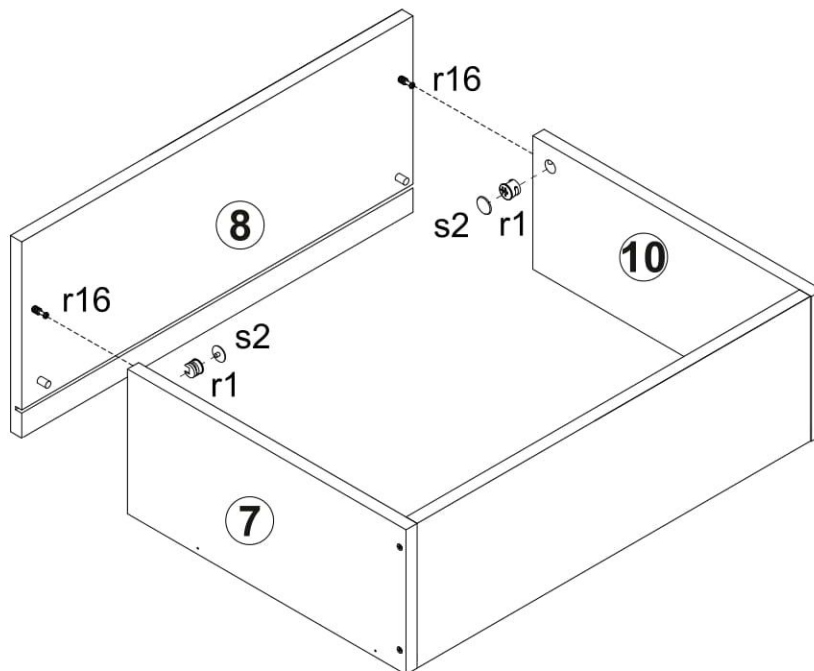


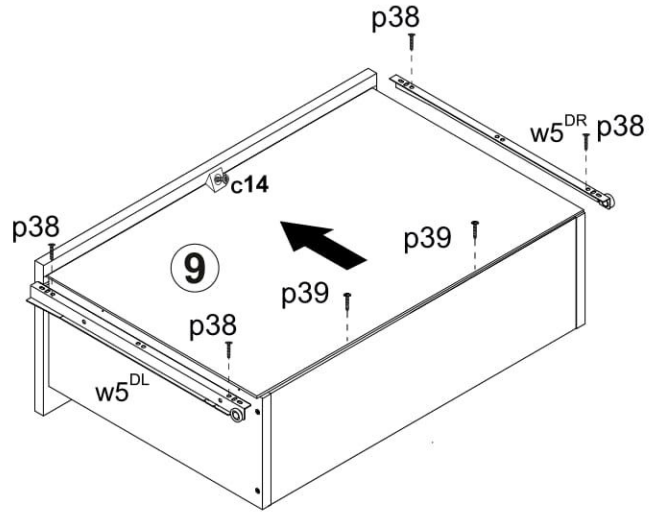
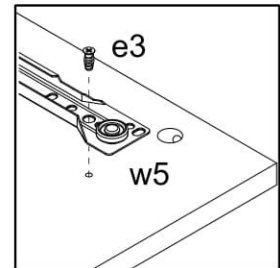
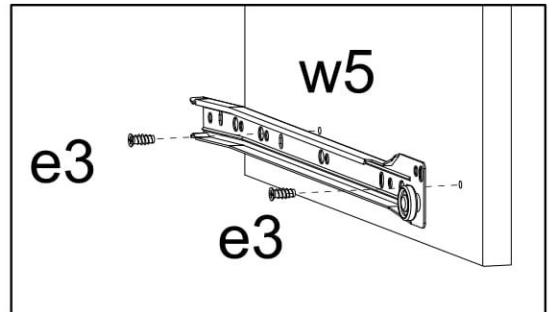
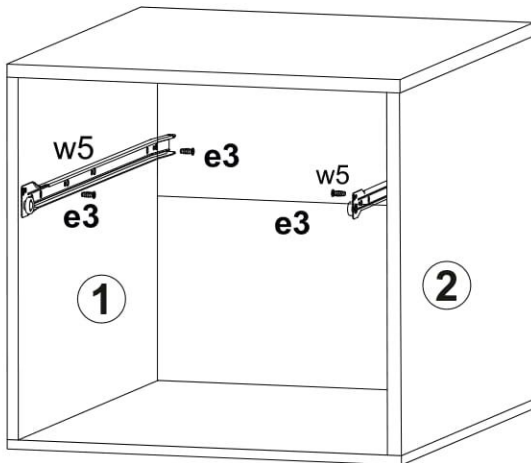
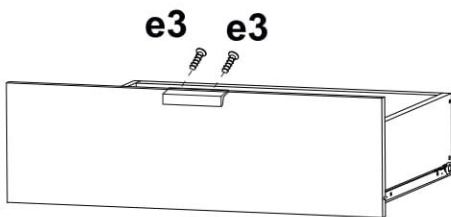
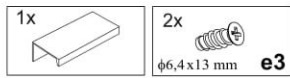
7

2x



φ15x12mm #16 r1



8**9****10**

Place washers over the screws to hold the handles securely.
Washers can be found in the hardware kit.

ENG**11**