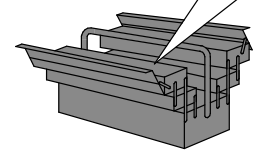
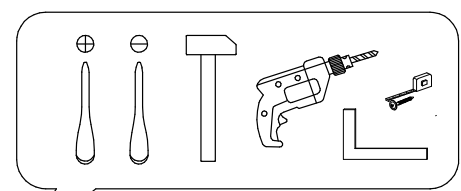
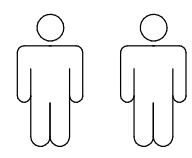
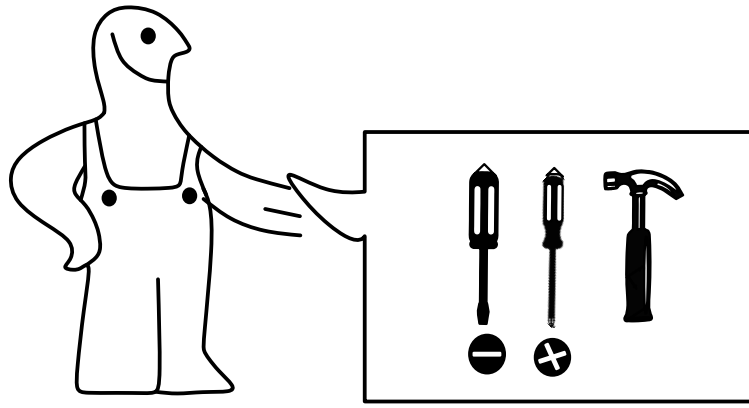


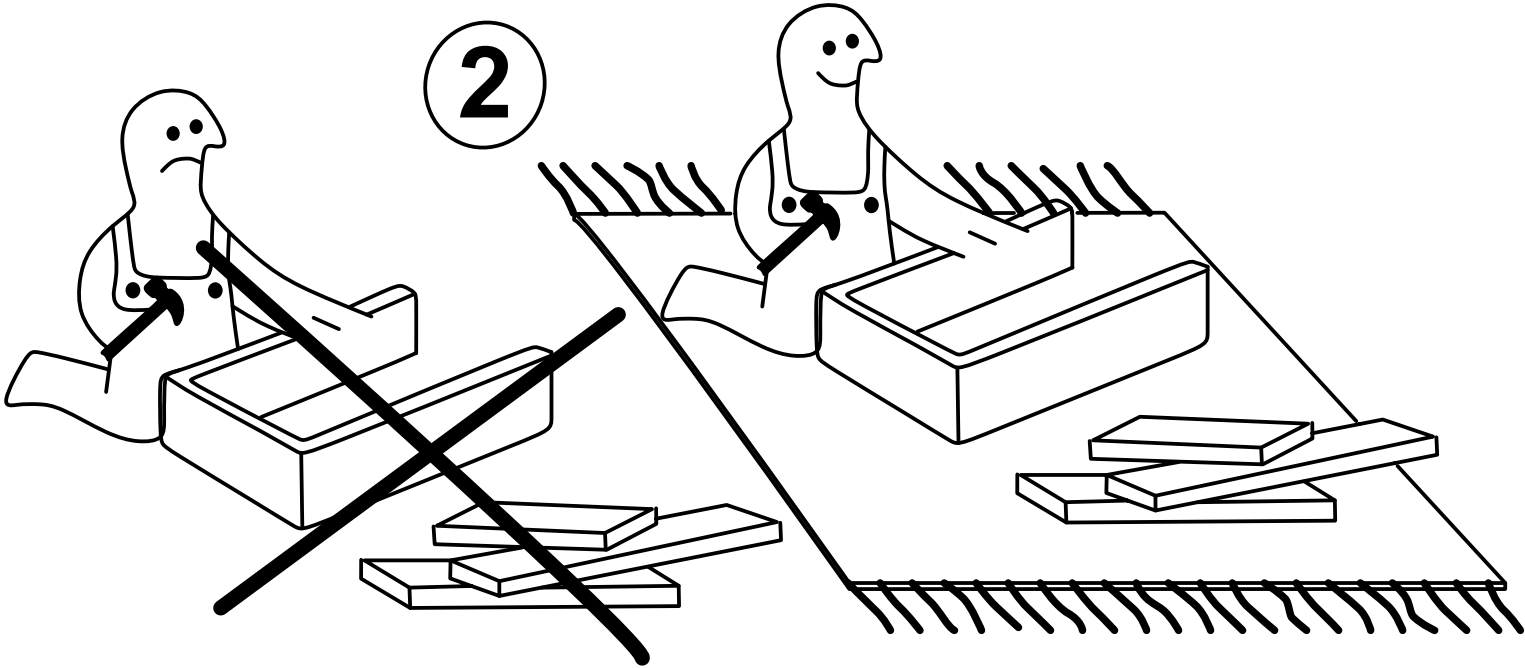
T9085
13-IZ-11



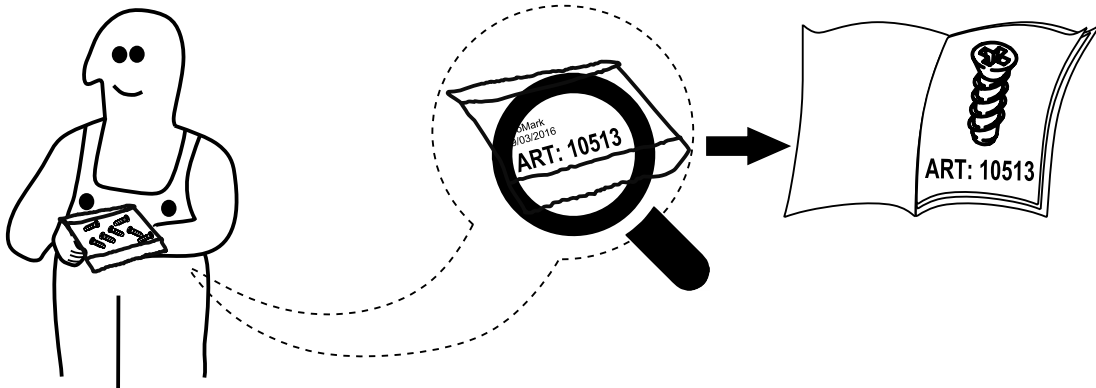
1



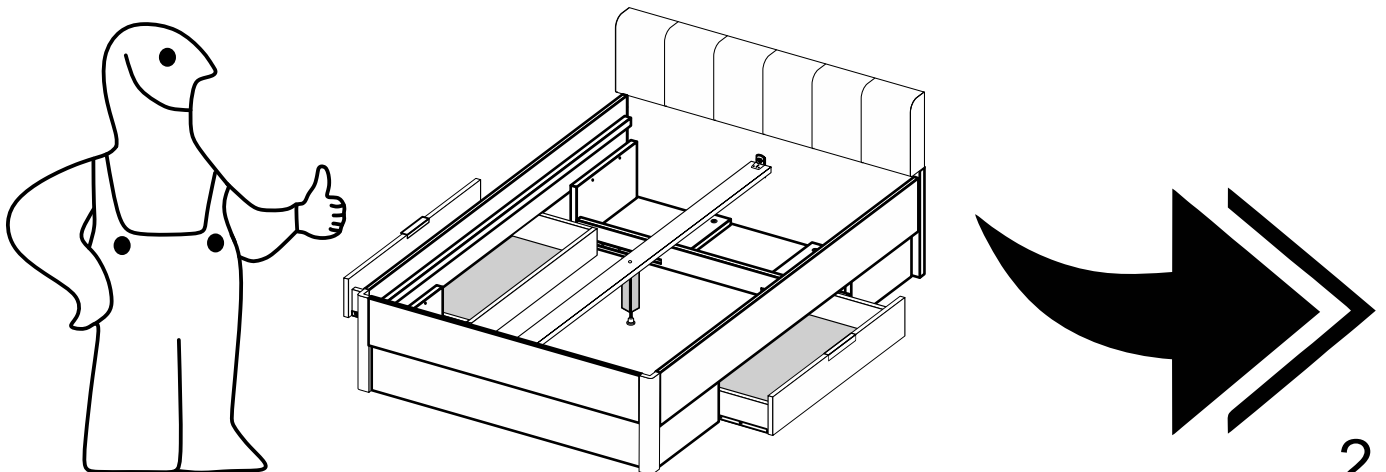
2

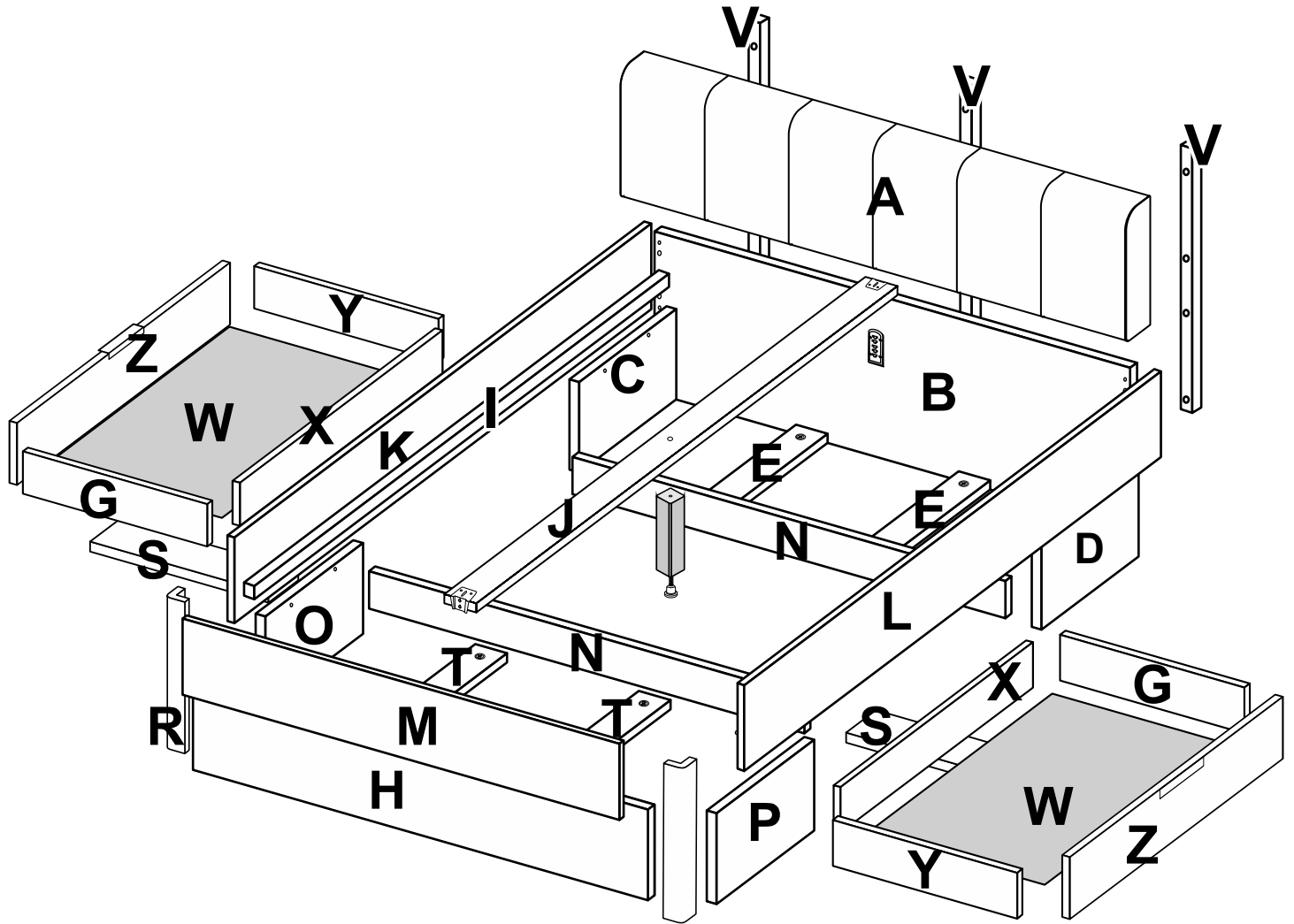


3



4



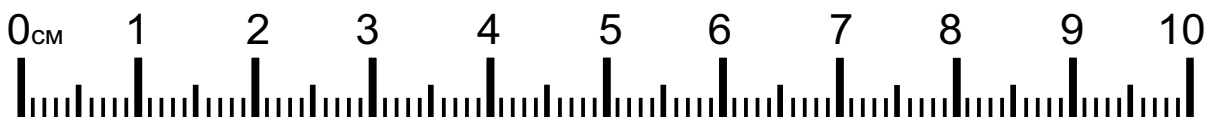
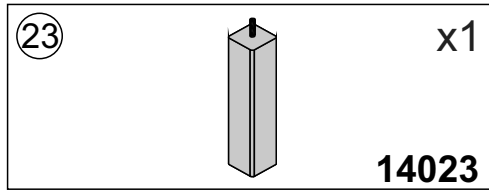
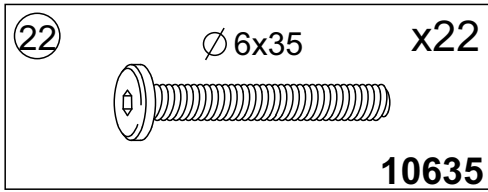
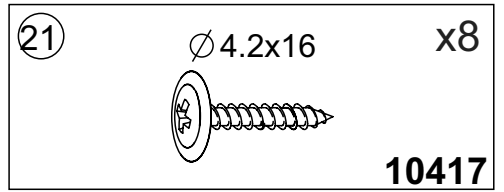
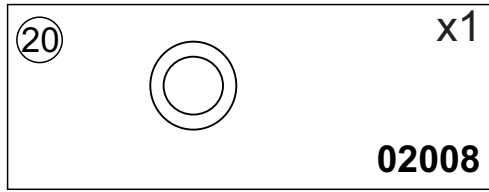
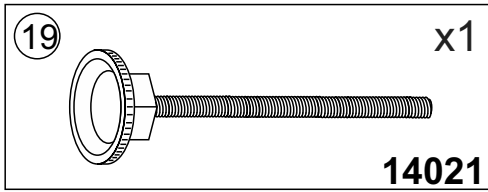
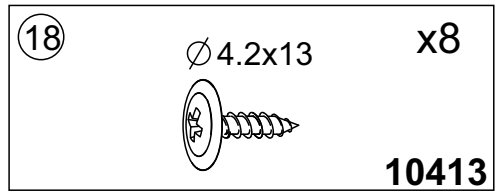
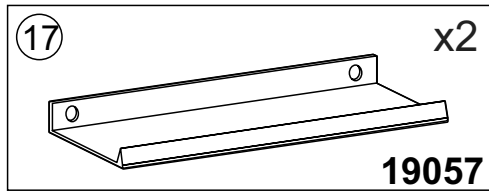
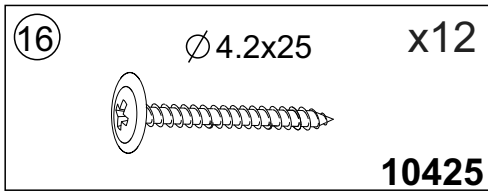
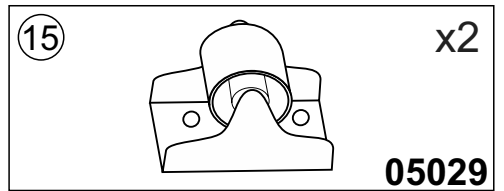
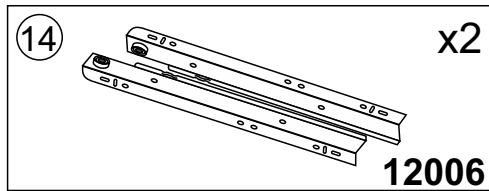
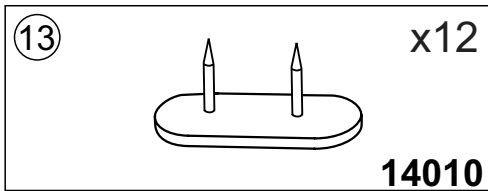
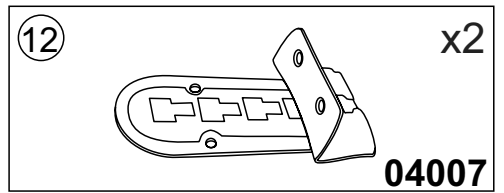
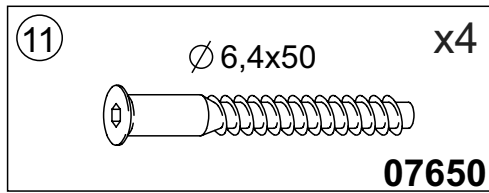
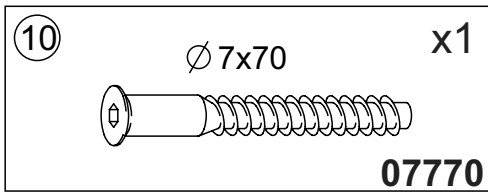
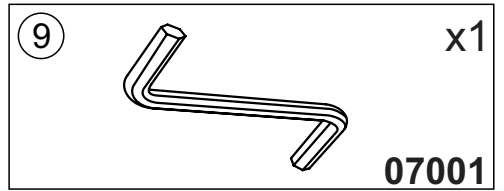
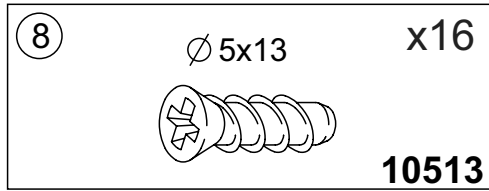
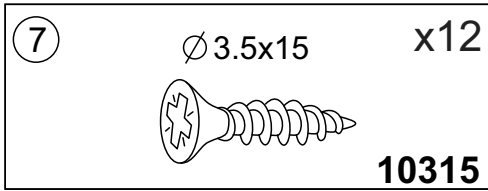
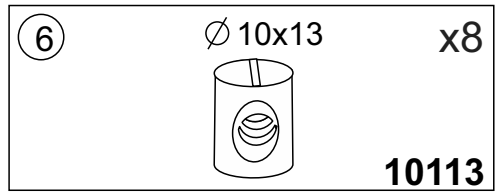
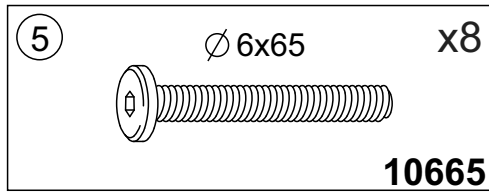
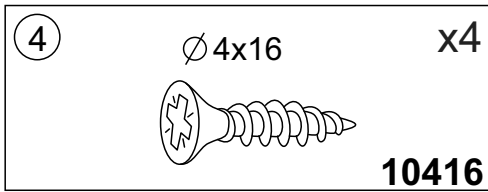
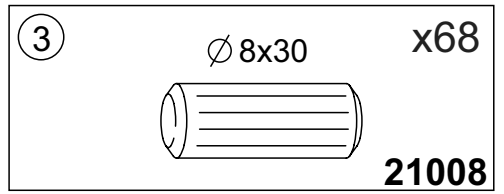
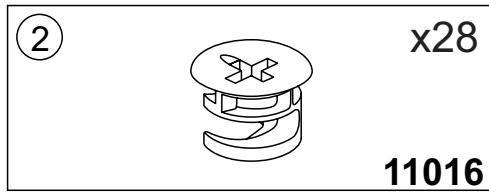
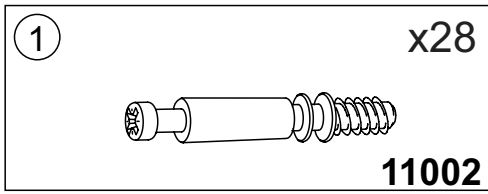


1,6 m

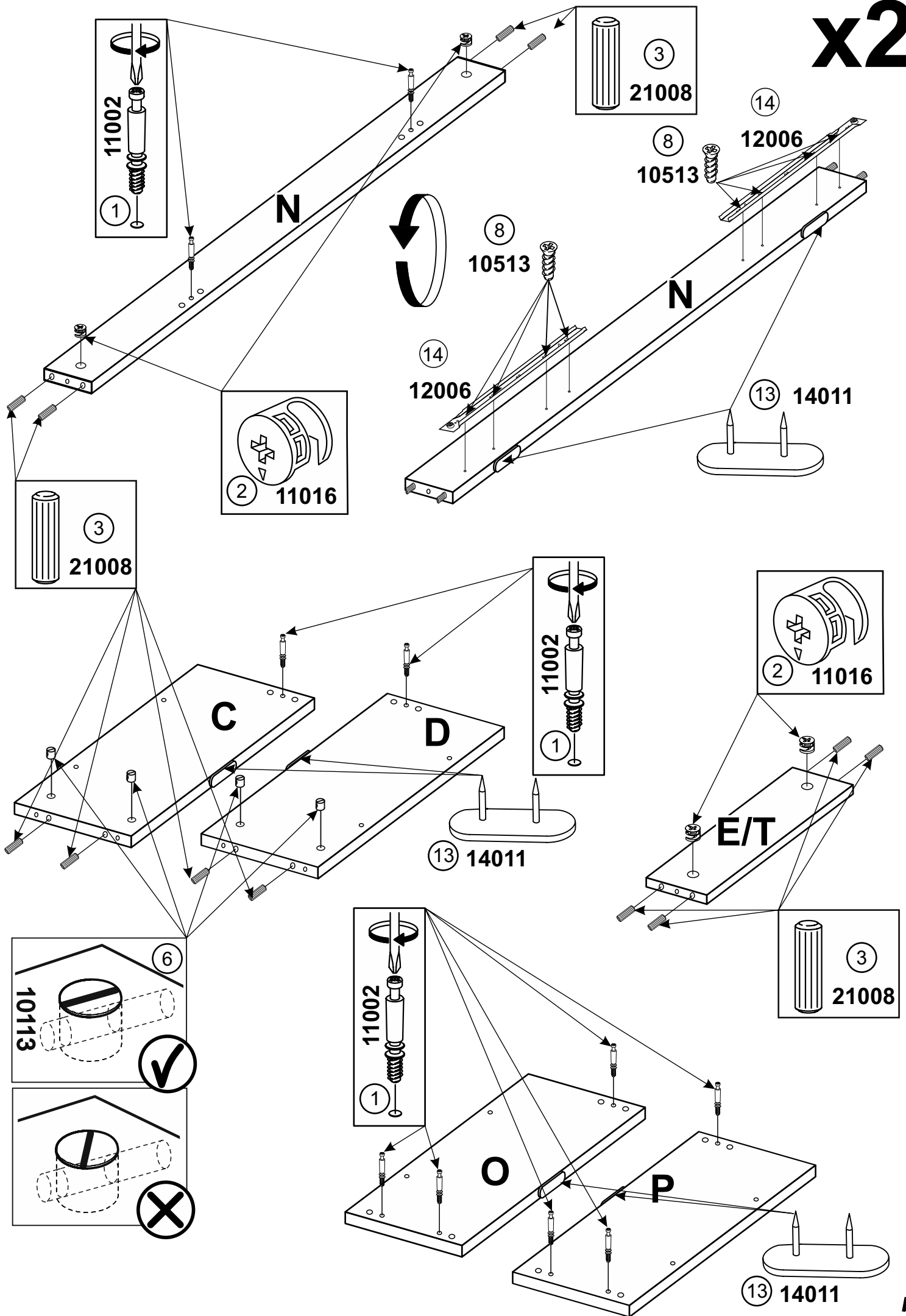
1,8 m

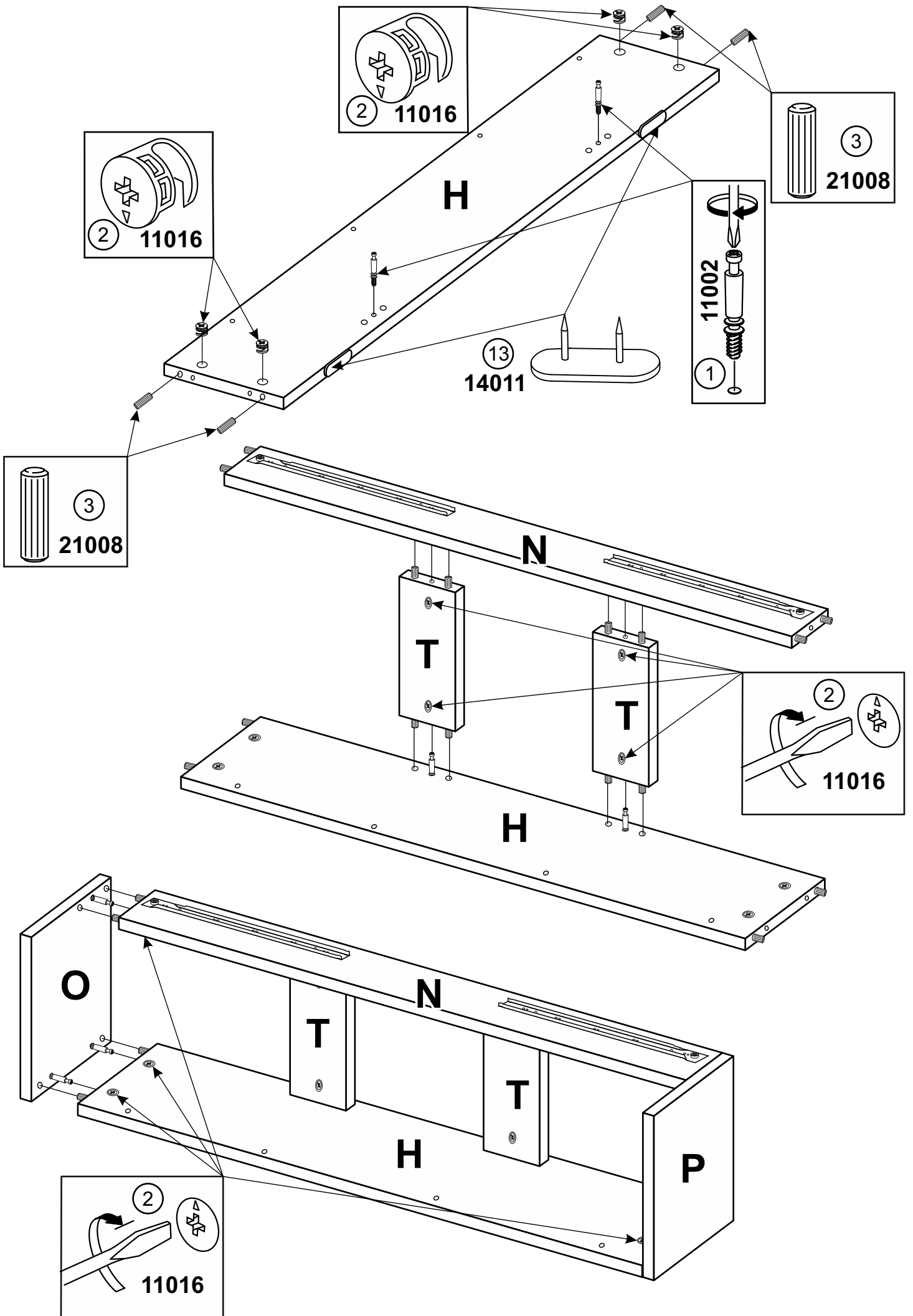
1	A	1642x530x100	1	1/3
2	B	1644x590x16	1	1/3
3	W	596x537x3	4	1/3
4	V	910x45x25	3	1/3
5	Z	1113x225x16	2	2/3
6	M	1546x230x16	1	2/3
7	K	1990x230x16	1	2/3
8	L	1990x230x16	1	2/3
9	T	218x128x16	2	2/3
10	E	634x128x16	2	2/3
11	J	2007x70x25	1	2/3
12	S	584x80x16	1	2/3
13	C	650x255x16	1	3/3
14	D	650x255x16	1	3/3
15	P	250x255x16	1	3/3
16	O	250x255x16	1	3/3
17	Y	600x136x16	2	3/3
18	G	600x136x16	2	3/3
19	X	1063x136x16	2	3/3
20	N	1578x128x16	2	3/3
21	H	1578x255x16	1	3/3
22	R	471x50x50	2	1/3
23	I	2006x30x25	2	2/3

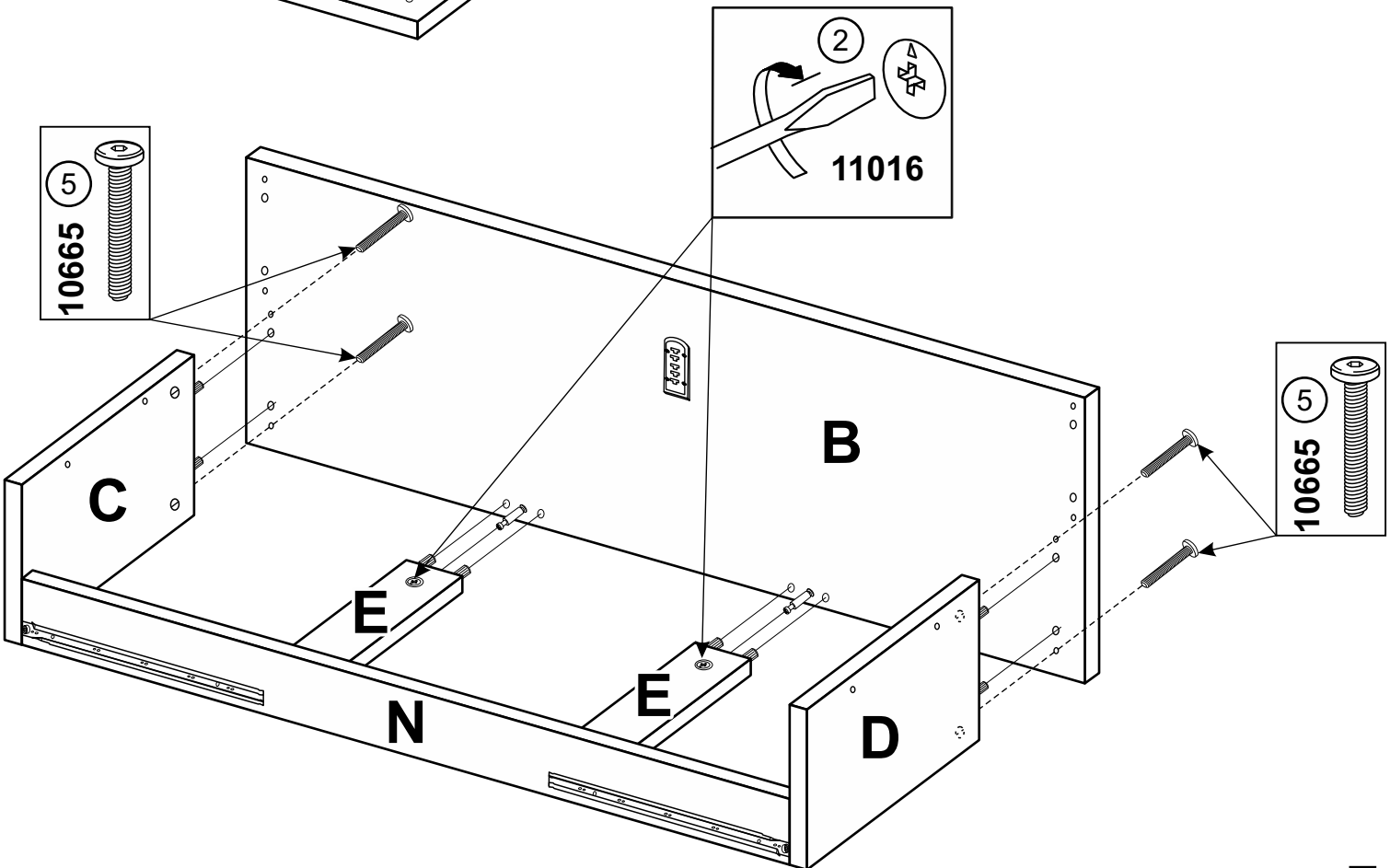
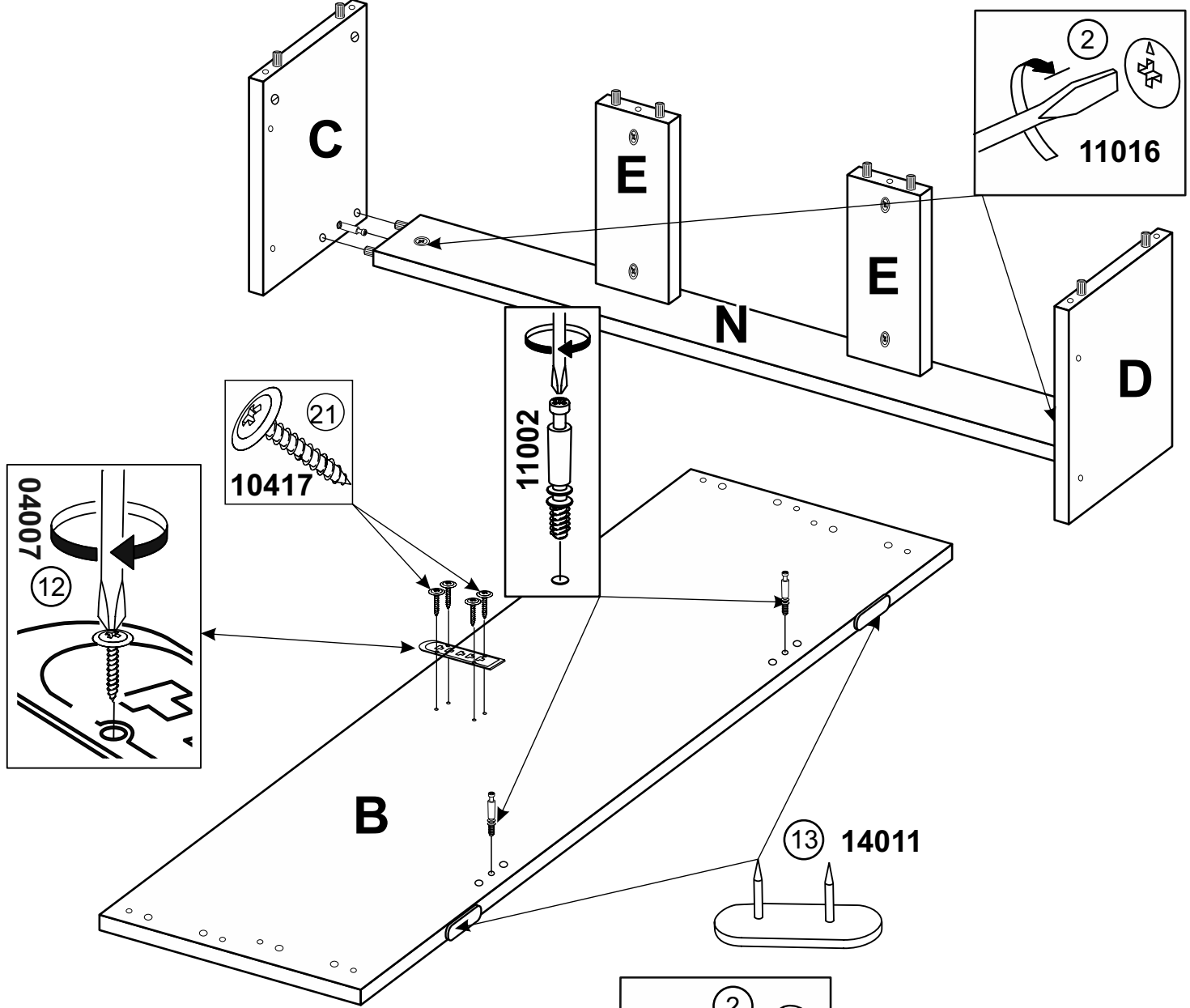
1	A	1854x530x100	1	1/3
2	B	1854x590x16	1	1/3
3	W	596x537x3	4	1/3
4	V	910x45x25	3	1/3
5	Z	1113x225x16	2	2/3
6	M	1746x230x16	1	2/3
7	K	1990x230x16	1	2/3
8	L	1990x230x16	1	2/3
9	T	218x128x16	2	2/3
10	E	634x128x16	2	2/3
11	J	2007x70x25	1	2/3
12	S	584x80x16	1	2/3
13	C	650x255x16	1	3/3
14	D	650x255x16	1	3/3
15	P	250x255x16	1	3/3
16	O	250x255x16	1	3/3
17	Y	600x136x16	2	3/3
18	G	600x136x16	2	3/3
19	X	1063x136x16	2	3/3
20	N	1778x128x16	2	3/3
21	H	1778x255x16	1	3/3
22	R	471x50x50	2	1/3
23	I	2006x30x25	2	2/3

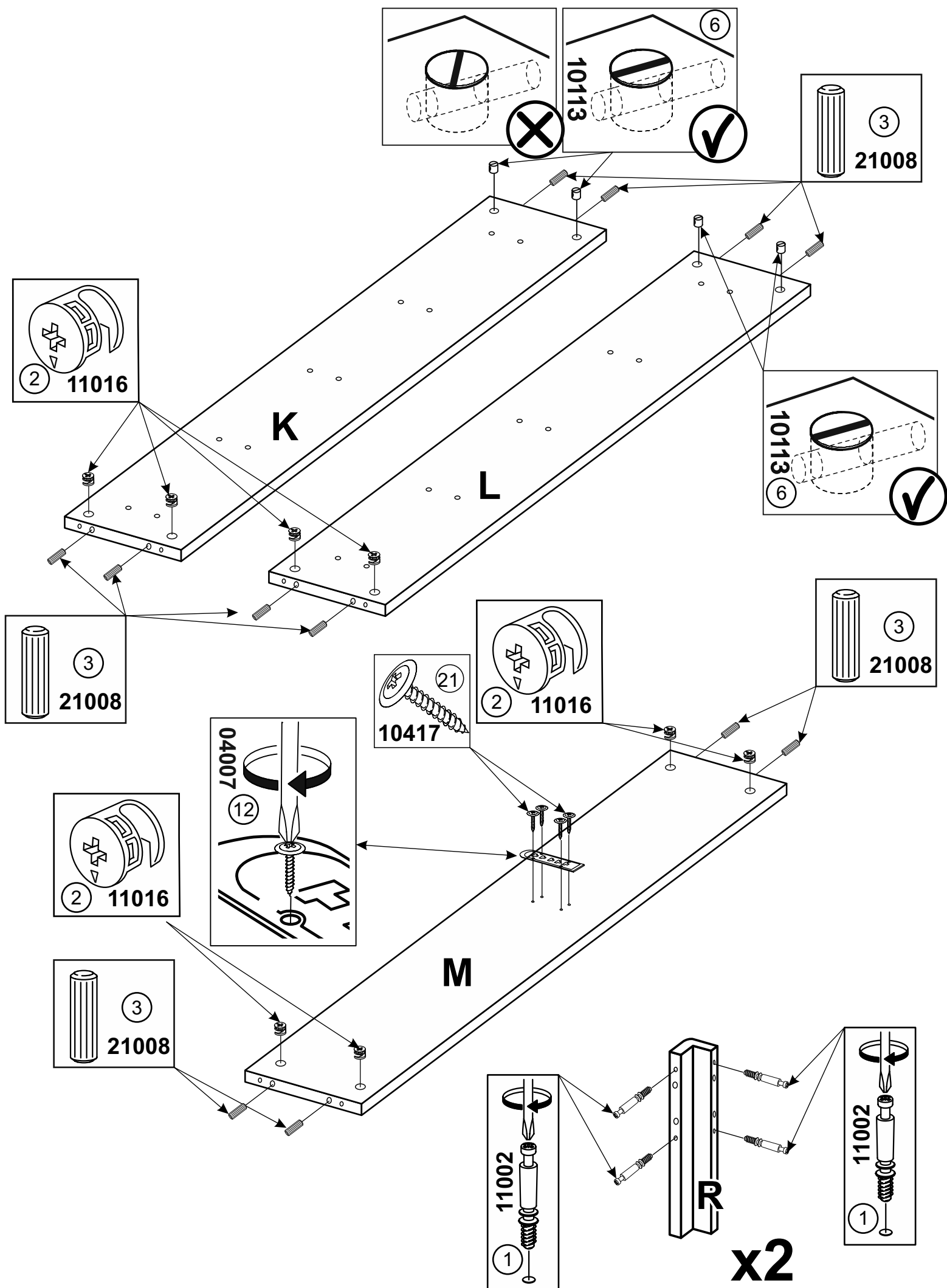


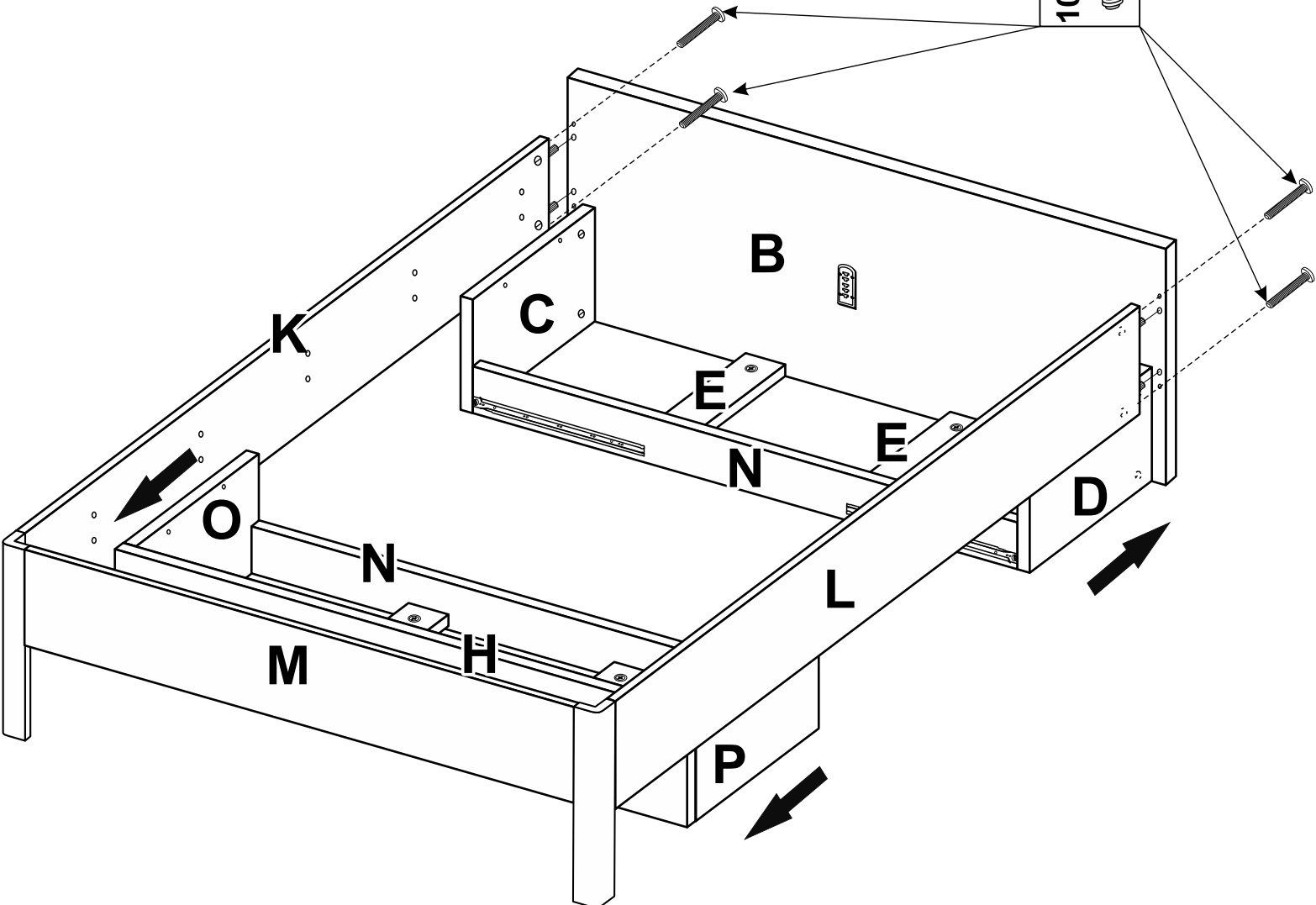
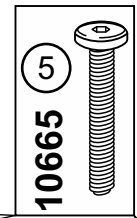
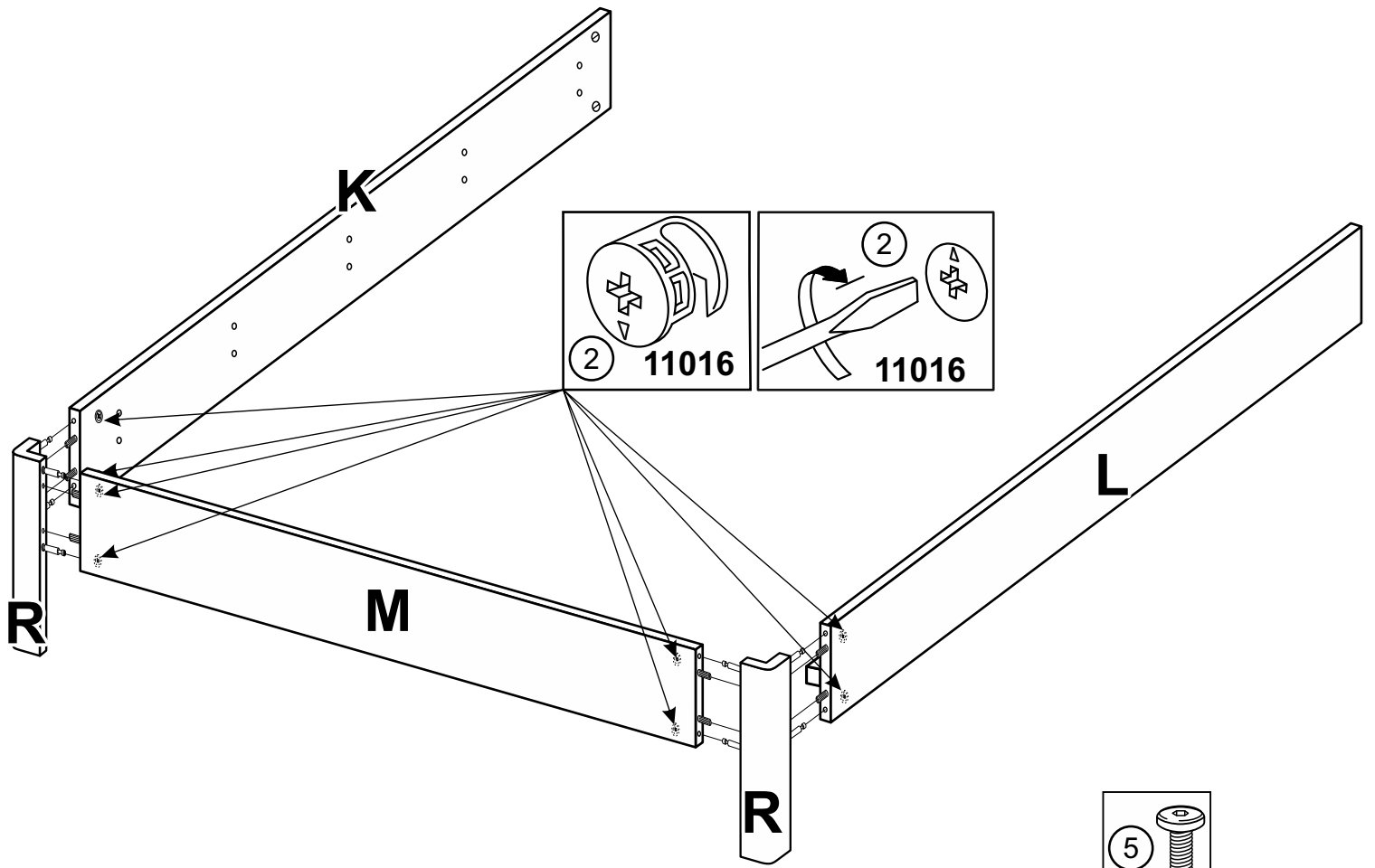
x2

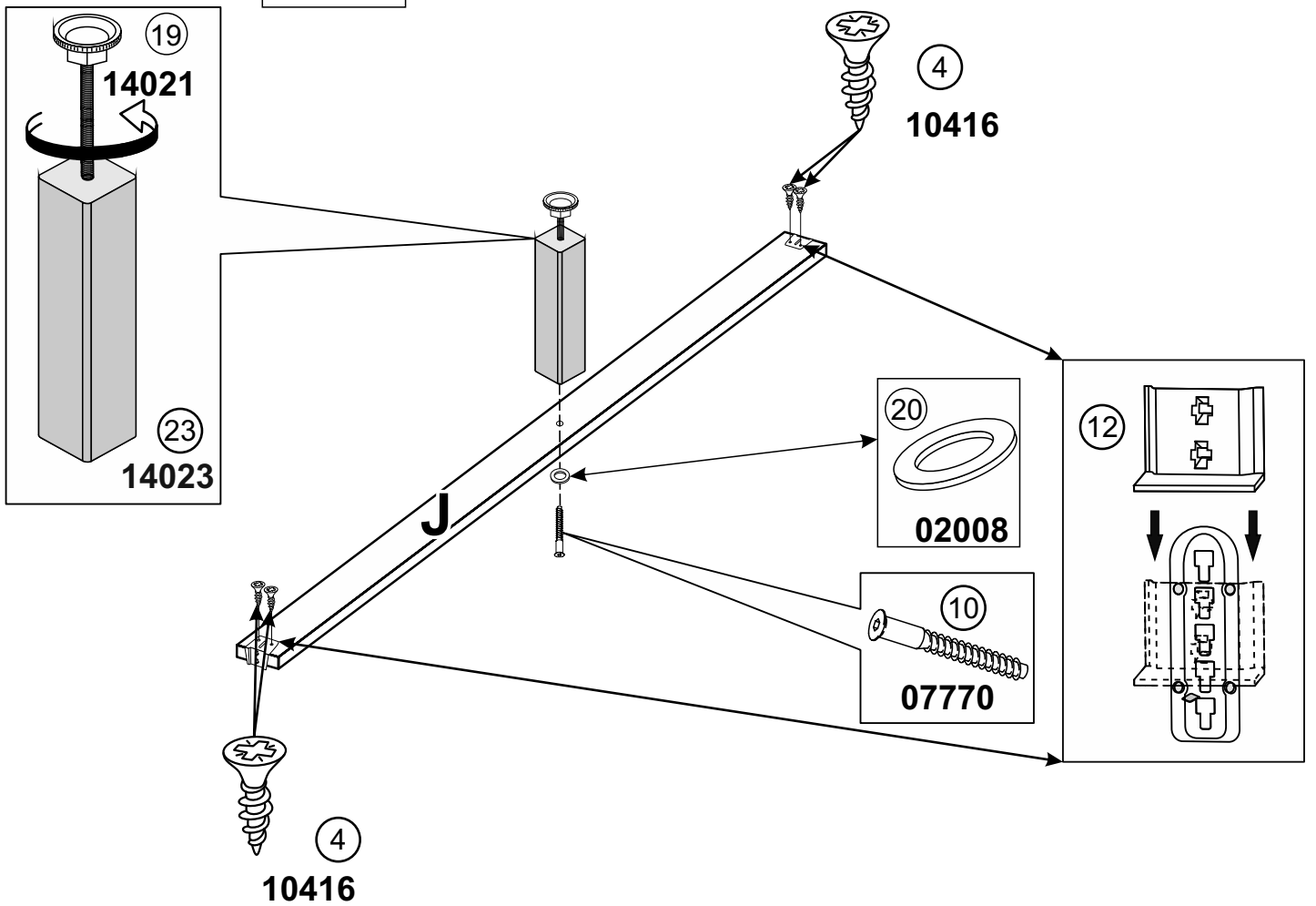
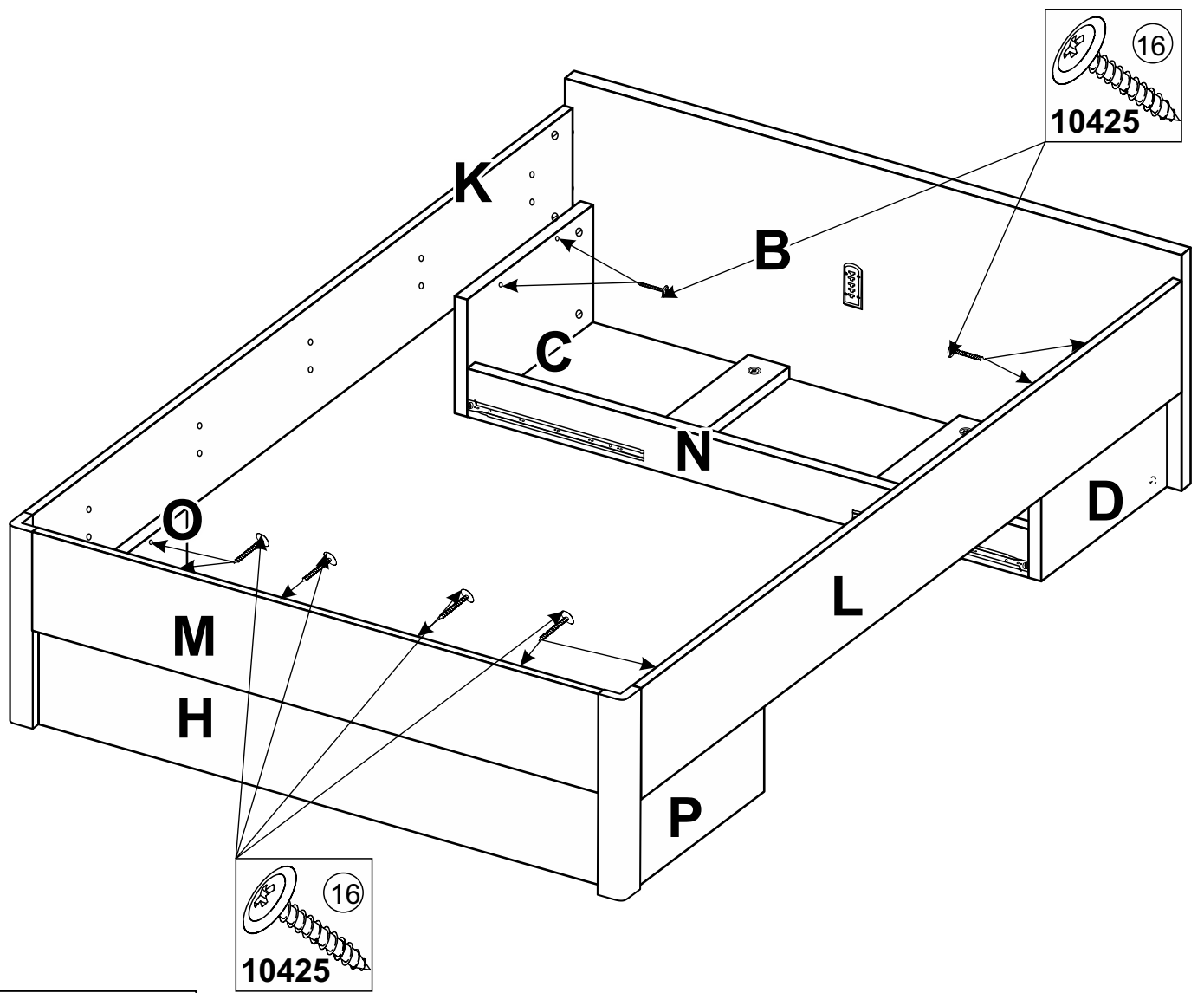


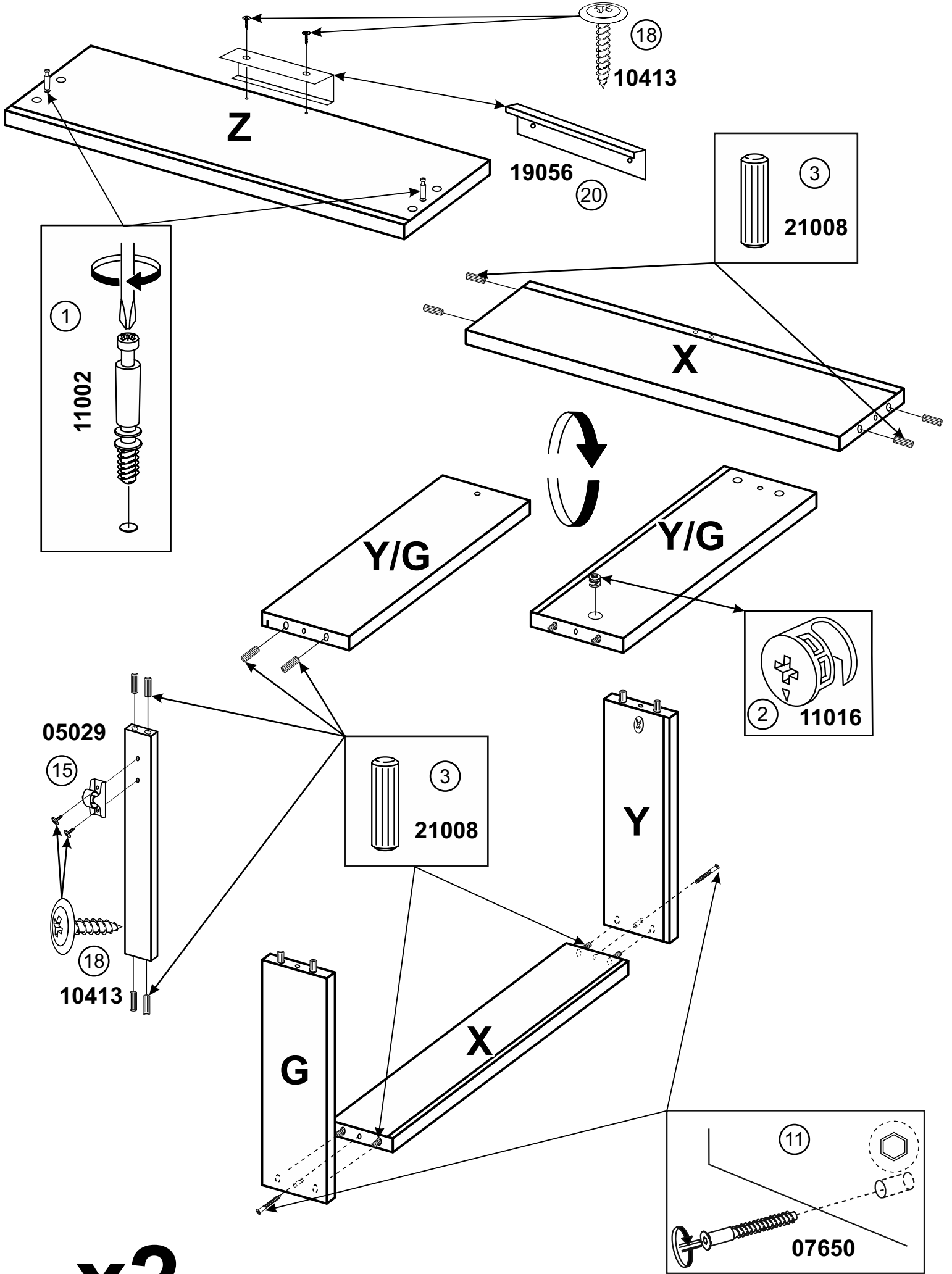




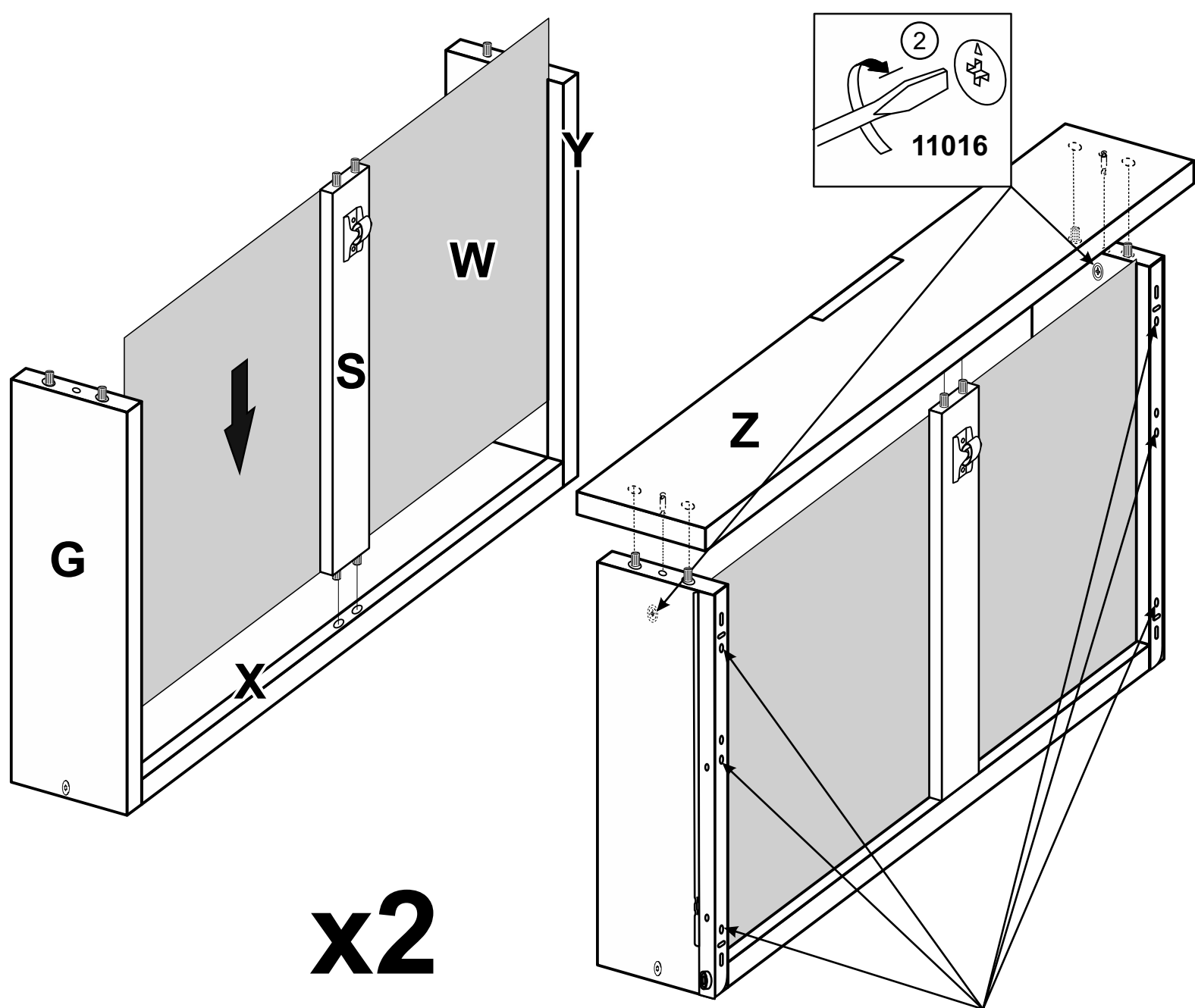








x2



x2

